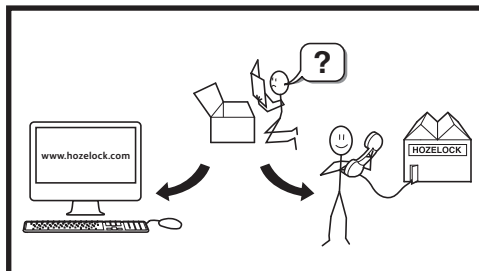
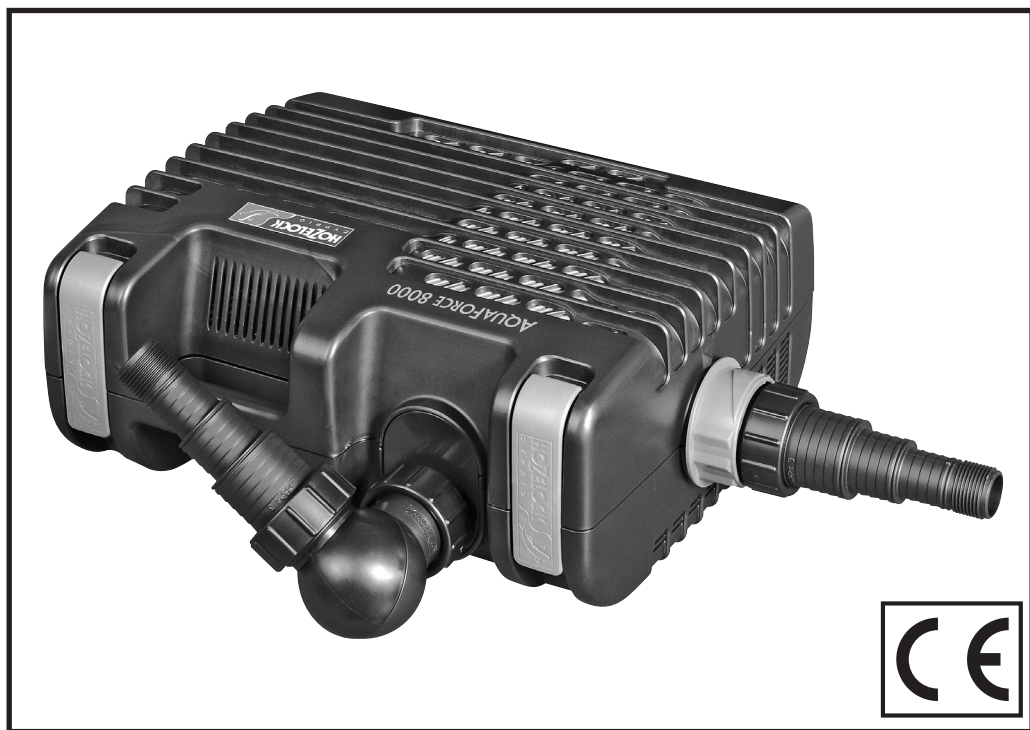
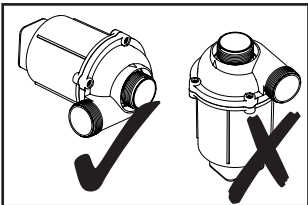
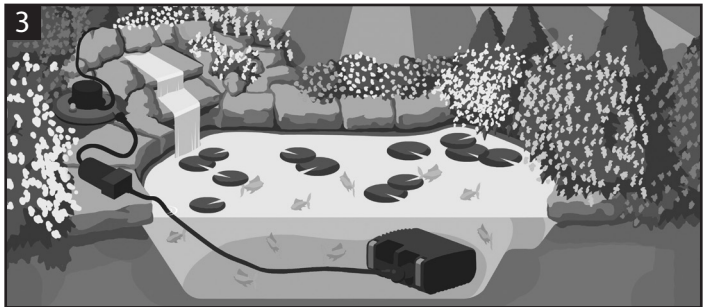
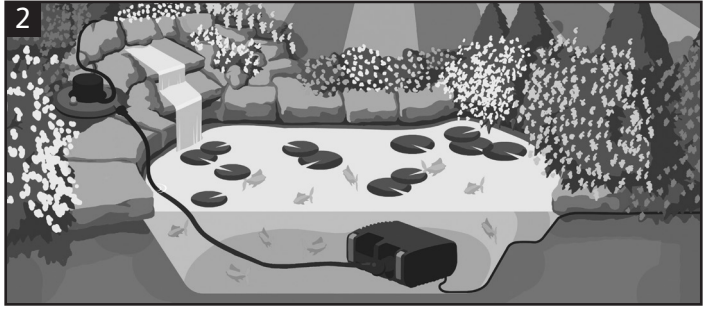
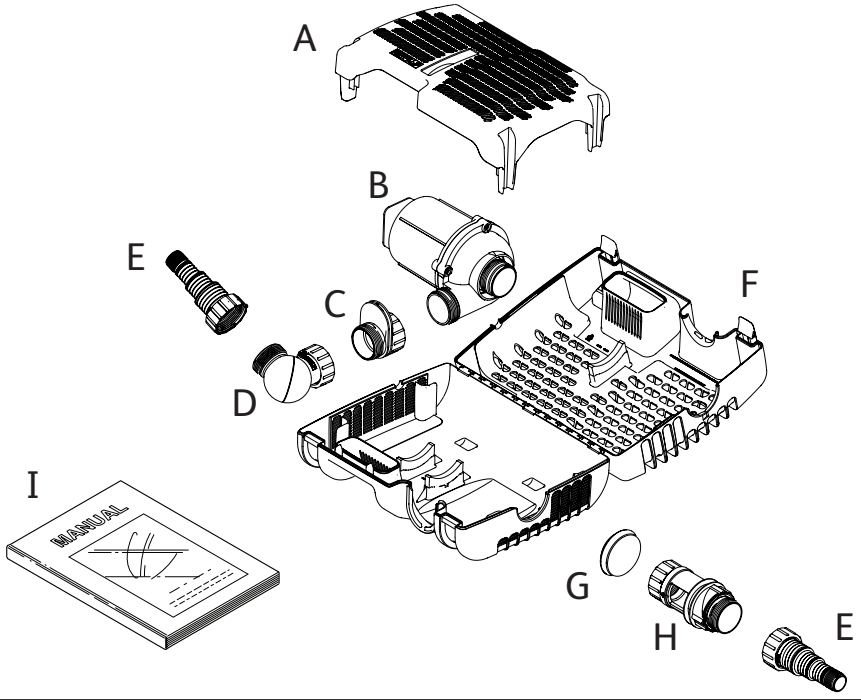


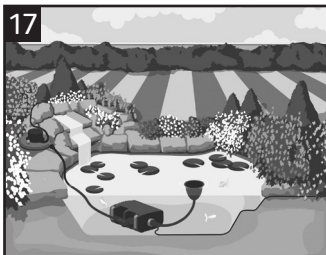
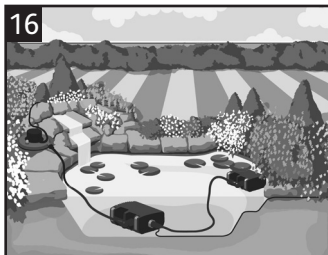
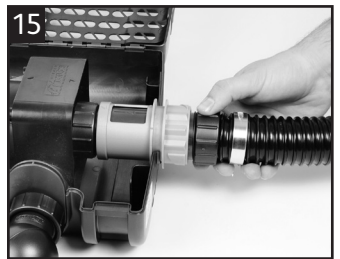
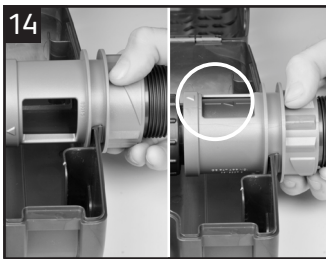
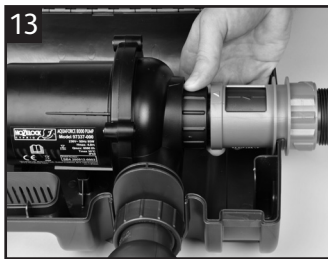
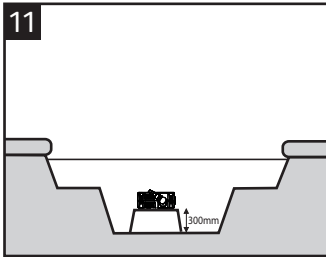
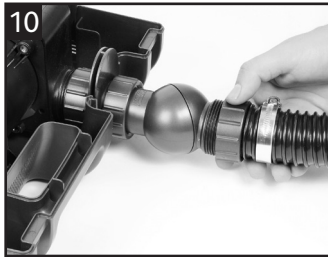
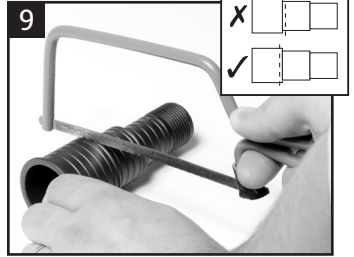
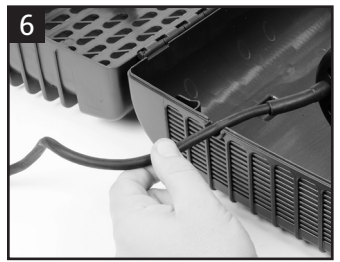
# AQUAFORCE

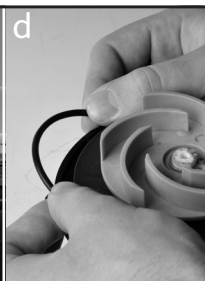
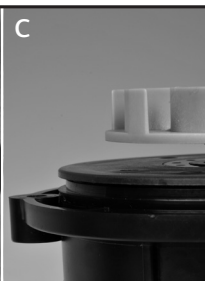
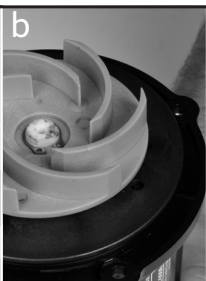
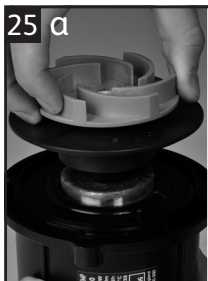
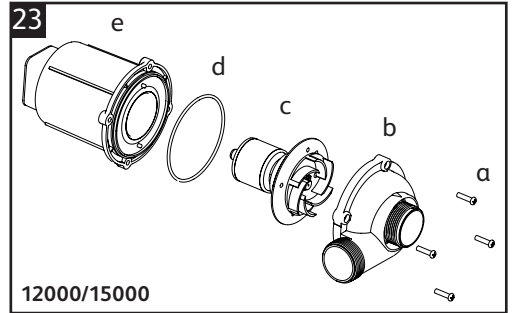
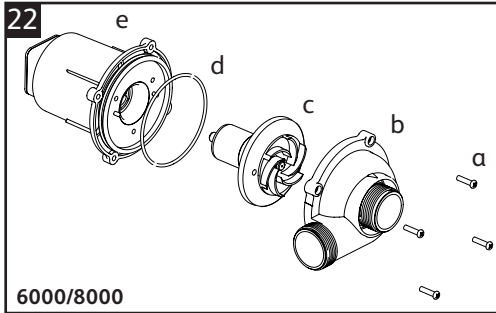
## 6000/8000/12000 & 15000



1







Thank you for choosing a Hozelock quality product. You can be assured of many years of reliable service from this product.



**THIS APPLIANCE IS FOR HOUSEHOLD USE. READ THESE INSTRUCTIONS CAREFULLY BEFORE ATTEMPTING INSTALLATION.**

**FAILURE TO OBSERVE THE FOLLOWING NOTICES MAY RESULT IN INJURY, PRODUCT DAMAGE OR LOSS OF FISH.**

**KEEP THESE INSTRUCTIONS FOR FUTURE REFERENCE.**

**YOU CAN ALSO DOWNLOAD THESE INSTRUCTIONS AT <http://www.hozelock.com/customer-service/instruction-leaflets.html>.**

## Contents

**(Fig.1) Check all contents are present before installation.**

- A. Small Fish Protection Insert
- B. Pump
- C. Outlet adaptor
- D. Ball Joint
- E. Hosetail & Nut
- F. Strainer Cage
- G. End Cap
- H. Flow Control
- I. Instruction Manual

## Introduction

This Hozelock Cyprio Aquaforce pump is electrically operated and is designed to pump solid particles up to 10mm in diameter with minimal prestrainer maintenance. These types of pumps are particularly suitable for pumping water to external filters or for use in high flow waterfalls or watercourse applications where low maintenance is important. The pump does not use oil or grease for lubrication and can be used safely in ponds containing fish or plants. The motor consists of a sealed stator and water-cooled rotor. All electrical components are isolated from the water.

### ATTENTION

#### AUTOMATIC CUT-OUT

To help ensure your pump's long life and to prevent damage, it is fitted with automatic thermal overload protection. This switches off the pump if it overheats. If this occurs, switch off the power at the mains supply to the pump. Check for the cause. Usually it will be debris blocking the inlets of the pump or obstructing the impeller. Remove the obstruction and wait for the pump to cool down. Then switch on the pump again.

## General Safety Guidelines

1. This pump has been designed for the use with ponds only. Only use this pump for the operation of pond filter systems, water displays, waterfalls etc. Do not use this pump for any other use (i.e. do not use this pump in swimming pools, bathrooms, central heating systems etc). Using the product for any other application may result in injury or product damage.
2. **Important** - This appliance must only be used by a responsible adult who is capable of using the appliance in a safe way and who understands the hazards involved. Use and store this appliance out of reach of children and persons with reduced physical, sensory, or mental capabilities.
3. **WARNING:** Always unplug or disconnect all appliances in the pond when the electricity supply before putting your hands in the water whilst equipment is being installed, repaired, maintained or handled. **Never immerse the plugged end of the cable in water.**
4. Never use the mains supply cable to lift the pump, as this may cause damage. We recommend fitting a lifting cord to the handle on the strainer cage when the pump is installed in deep water.
5. Do not operate or leave the pump in freezing conditions.
6. Protect the pump from direct sunlight. Direct sunlight may overheat the motor.
7. Never allow the pump to run dry.
8. Do not operate this pump without the strainer cage properly attached. Using the pump without the strainer cage may invalidate your guarantee.
9. **ATTENTION:** This product is not suitable for water temperatures above 35°C.
10. **ATTENTION:** Do not operate this product if the mains supply cable or the motor has become damaged in any way. The supply cable cannot be replaced as it is permanently encased in the motor housing and should therefore be disposed of according to local regulations.
11. If you live in a hard water area (water with high calcium or limescale content), the pump, rotor assembly and inside of motor should be cleaned at regular intervals (See MAINTENANCE).
12. Only use accessories which have been designed for use with this product. The use of any other accessories may invalidate your guarantee.
13. This pump is not suitable for use with salt or sea water.
14. For the maximum total head of these pumps, please refer to the table at the end of these instructions.

## Electrical Connections

- WARNING:** Always unplug or disconnect all appliances in the pond from the electricity supply before putting your hands in the water whilst equipment is being installed, repaired, maintained or handled.
- Check that the voltage marked on the unit corresponds to the mains supply.
- The pump is supplied with 10m of 3 core electric cable which is permanently connected and sealed to the motor.  
**The supply cable cannot be replaced. If the cable is damaged, the pump should be discarded.**  
The plug supplied with this product is not waterproof and must be housed in a dry, waterproof enclosure.
- A 10mA or 30mA Residual Current Device (RCD) must be fitted to the mains supply.
- The installation must conform to the National and Local wiring regulations which could include the use of plastic or metal conduit to protect the cable.
- WARNING:** This appliance must be connected to an earthed supply.
- The pump cable (and extension cable) should be positioned and adequately protected against damage especially where contact with gardening equipment, (lawn mowers, forks etc..) children and domestic animals may occur.
- Consult a qualified electrician or local authority if in any doubt about wiring to the mains supply.

## Typical Installation

**NOTE:** When running amphibiously, the dry sited pump **MUST** be positioned horizontally, as shown. (See Fig. 2 & 3)

## Pump Assembly & Installation - Submerged Operation

- Open the clips at either end of the strainer cage (Fig 1 – F) and open the cage.
- Remove the Small fish protection insert (Fig 1 – A).
- Remove & unpack the ball joint, hoses & Flow control (Fig 1–D,E & H).
- Remove the mains supply cable and unwind.
- Ensure that the outlet of the pump is secured to the outlet adaptor (Fig 1 – C). Locate the pump onto its mounting area ensuring that the adaptor piece slots into the location ribs in the front of the lower cage (Fig 4).  
**Note:** The adaptor should be orientated with the outlet at the bottom of the cage (Fig 5).
- Locate the mains supply cable into the recess on the side of the cage. Ensure it is seated in the correct position so that the cable does not get

trapped when the cage is closed. (Fig 6).

Refit the small fish protection insert.

- Close the cage lid ensuring that the end cap (Fig 1 – G) is in its correct position and secure by pressing in the centre of the clips (Fig 7).
- Checking that the ball joint's inlet and outlet bosses are in line, firmly screw the nut on to the screw thread on the outlet adaptor (Fig 8).
- Using small bore hoses leads to excessive restriction of the water flow. The larger the diameter of hose that you use the better the performance of the pump will be, especially over long hose runs. The hoesail supplied with this unit will accommodate 25mm (1"), 32mm (1.25") and 40mm (1.6") hose as well as 3/4" BSP screw thread for attaching fountain accessories. We would always recommend that on pumps of this size, that the 40mm diameter hose should be used when using the pump as a waterfall pump or in combination with a filter (Fig 2 & 3). Once you have selected the hose diameter you wish to use, cut the steps off the hoesail which are smaller than the hose diameter to eliminate restriction (Fig 9). Attach a suitable length hose to the hoesail and secure with a suitable hose clip and position the outlet end of the hose in the desired position.
- Screw the hoesail directly onto the outlet boss of the ball joint (Fig 10). The ball joint can be rotated to allow the hose to be directed away from the pump.

### Position

- For the best results, the pump should be positioned in the deepest part of the pond at least 200mm under the surface. This will ensure the best circulation of water in the pond and when being used as a filtration pump, its solids handling capability will be maximised.

For best results, the pump should not be placed directly on the bottom of the pond. We recommend that the pump be installed on a flat level platform which is raised approximately 300mm from bottom of pond. This will prevent the pump sucking dirt directly from the bottom of the pond and will also ensure that sufficient water remains in the pond in the event of accidental leakage of pond water (See Fig 11).

### Small Fish Protection Insert

- If you have fish or other wildlife in your pond, there are periods in the year during which they may breed. At this time the fish 'fry' are small and can be sucked into the pump. To minimise this possibility, the Aquaforce range of pumps has a unique small fish protection insert, which reduces the inlet strainer hole size down to 2mm at this critical time in fishes' life cycle. To use this feature, locate the insert's 4 legs into the corresponding area in the lower cage as shown in Fig 12 ensuring

that the insert is the correct way round. Close the top of the cage and secure the clips. Whilst the insert is in use, you may need to unblock the Strainer Cage more frequently. Once the fish or other wildlife have grown to a sufficient size you can then remove the insert from your pump's cage and return the strainer size to its maximum 10mm size.

## Using The Flow Control

The flow Control (Fig 1 - H) can vary the amount of water entering the pump. Alternatively, it can be used to connect a second inlet to the pump such as a satellite filter or a skimmer. Do not use the flow control when the pump is being used amphibiously.

1. Open the cage and remove the end cap (Fig 1 - G).
2. Close the flow control by rotating the outer part until the arrows are aligned.
3. Firmly screw the flow control to the inlet of the pump aligning the arrows on the flow control with the arrow in the centre of the top of the pump chamber (Fig 13).
4. Locate the pump into the cage. Ensure that the slots in the outlet adaptor align with the ribs in the lower cage and that the grip of the flow control is on the outside of the cage (Fig 14).
5. To use as a flow control, screw the end cap to the free end of the flow control.
6. Rotate the grip to the desired position. This varies the opening size on the flow control. The arrow on the grip aligns with the pointer on the outside of the top cage.  
When the pointed end of the arrow is aligned with the pointer on the outside of the filter cage, this indicates minimum flow. When the wide end of the arrow is aligned with the pointer, this indicates maximum flow (See fig 14).
7. Locate the cable into its recess (See point 6 under Submerged Operation), close the cage lid and secure the clips.
8. This allows you to reduce the flow of water to your filter and control the waterfall size.
9. To use a second inlet connect a suitable length of hose to a hosetail which has been cut to a suitable diameter and screw to the free end of the flow control in place of the end cap (Fig 15).
10. The other end of the hose can be connected to a satellite filter (Fig 16) (available as a spare from Hozelock) or to a skimmer (Fig 17).
11. By rotating the grip of the flow control, the amount of water coming through the satellite filter or skimmer can be varied.

## Pump Assembly & Installation - Amphibious Operation

This pump can be used amphibiously (i.e. it can be used whilst not submerged).

**WARNING! Ensure that the unit does not take in air or run dry otherwise your pump will be damaged.**

**WARNING! Always unplug or disconnect all appliances in the pond from the electricity supply before putting your hands in the water whilst equipment is being installed, repaired, maintained or handled.**

**NOTE:** This pump does not self prime. The suction hose and pump must be filled with water before switching on.

1. Open the clips at either end of the strainer cage, open the cage, and remove all the contents.
2. Unscrew the outlet adaptor from the pump outlet and locate it into the ribs in the lower cage (Fig 18).
3. Place the pump under the surface of the water near the side of the pond to allow water to flow into the pumping chamber (Fig 19).
4. Cut 2 hositails to the required size (See point 9 under Submerged Operation). Attach a suitable length hose to each hositail and secure with suitable hose clips.
5. Submerge the inlet hose under the surface of the water ensuring that the complete hose fills. Screw the hositail to the inlet of the pump ensuring a watertight seal using the washer provided (Fig 20).
6. Fix the outlet hose to the pump outlet by screwing on the hositail. Ensure a watertight seal using the washer provided (Fig 21).
7. Check that the pump chamber and hose are full of water and switch on the pump. The pump can now be removed from the water to its amphibious operating location ensuring that the inlet end of the hose remains submerged.
8. To prevent the pump becoming clogged, connect the cage to the inlet end of the inlet hose using another hositail.
9. When using the pump amphibiously, protect the pump from direct sunlight. Direct sunlight may overheat the motor.
10. The ball joint is not designed to be used out of water.

## Maintenance

The Hozelock Cyprio range of Aquaforce pumps have been designed to allow fast and easy maintenance. To prolong the life of your pump and keep your pump in peak condition, you should follow these maintenance guidelines.

**Caution:** Always unplug or disconnect ALL appliances in the pond from the electricity supply before putting your hands in the water or starting maintenance.

1. When the pump is newly installed, you should check your pump daily that it is performing correctly.
2. If you notice a drop in performance (low flow) you should clean the strainer cage. Cleaning intervals will vary depending on the condition of your pond's water. This could be as often as weekly in the summer months. To clean the strainer cage, open the clips and remove the pump. The cage can then be wiped clean of debris blocking the strainer holes and washed in clean water. You should also check that the pump chamber & rotor are not blocked with debris.
3. At least once a year you should completely disassemble the pump including the rotor assembly as described below and wash all components in clean, fresh water.

Replace worn or broken parts.

4. If you live in a hard water area (water with high levels of calcium or limescale content), the pump, rotor assembly and steel can should be cleaned at regular intervals. The cleaning interval required will vary depending on the hardness of your water, so you should inspect for signs of calcium build up regularly.

To clean off calcium or limescale deposits a small nylon bristled brush (such as a toothbrush) may be used.

Dismantle the pump as described above and remove the rotor. Clean the limescale deposits from the rotor using fresh clean water. If excessive calcium deposits build up, the thermal overload protection may be activated (See **INTRODUCTION**).

#### **Pump Dismantling & Assembly (6000 & 8000) - Fig 22 & 24**

1. Switch off the pump and remove the strainer cage as described above and remove the pump.
2. Ensure the pump is cool before dismantling it.
3. Unscrew the 4 posidrive screws (a) from the chamber.
4. Gently pull the pump chamber (b) squarely away from the motor body (e).
5. Pull the rotor assembly (c) out of the motor body.  
Important! Take extra care so as to not drop the rotor assembly.
6. Wash out all of the components in clean water. Do not use detergents or other chemical cleaners.
7. Ensure the o-ring (d) is in its groove (Fig 24a & 24b).
8. Replace the rotor assembly into the motor body ensuring that the holes in the plate behind the impeller locate onto the pins on the motor body (Fig 24c & 24d).
9. Refit the pump chamber. Twist the chamber to align the screw holes and refit the screws taking

care not to push out the nuts in the motor body (Fig 24e).

10. Return the pump to the strainer cage.

#### **Pump Dismantling & Assembly (12000 & 15000) - Fig 23 & 25**

1. Switch off the pump and remove the strainer cage as described above and remove the pump.
2. Ensure the pump is cool before dismantling it.
3. Unscrew the 4 posidrive screws (a) from the chamber.
4. Rotate and pull the pump chamber (b) squarely away from the motor body (e).
5. Pull the rotor assembly (c) out of the motor body.  
Important! Take extra care so as to not drop the rotor assembly.
6. Wash out all of the components in clean water. Do not use detergents or other chemical cleaners.
7. Replace the rotor assembly into the motor body (Fig 25a), ensuring that the holes in the plate behind the impeller locate onto the pins on the motor body (Fig 25b).
8. Note that the o-ring groove is formed when the rotor has been correctly positioned (Fig 25c). Fit the o-ring (d) over the rotor. Ensure the o-ring is on correctly positioned between the rotor plate and motor body (Fig 25d).
9. Refit the pump chamber. Twist the chamber to align the screw holes and refit the screws taking care not to push out the nuts in the motor body (Fig 25e).
10. Return the pump to the strainer cage.

### Winter Care

1. Your pump should be removed from your pond during the autumn.
2. Clean the pump as described above.
3. During winter, we recommend storing the pump in a bucket of water. This is to prevent the bearings from drying out and potentially seizing. This is especially important if you have been using your pump in a hard water area. The bucket of water containing the pump should be stored in a frost protected area.

### Troubleshooting/Fault Finding

**Important - Please keep this section for reference.**  
**LOW FLOW FROM PUMP**

1. Ensure that the strainer cage is clean.
2. A small diameter outlet pipe will restrict outlet flow.
3. Ensure that there is no blockage within the pump chamber.
4. If using the pump amphibiously, ensure that the ball joint is not being used and check that the



washers provided are used when fixing the hosesetail to the pumps.

#### NO FLOW FROM PUMP

1. Check the power supply is on.
2. Check the fuse, RCD and wiring.
3. Check that the rotor assembly is not jammed, blocked, damaged or showing signs of excessive wear.
4. Ensure that the strainer cage is clean.
5. The thermal overload protection has tripped (see INTRODUCTION).

### Hozelock Cyprio 3 + 2 Year Guarantee

If this pump, excluding the rotor assembly, becomes unserviceable within 3 years of the date of purchase it will be repaired or replaced at our option free of charge, unless in our opinion it has been damaged or

misused. To extend this guarantee to 5 years please register at <http://register.hozelock.com>.

Liability is not accepted for damage due to accident, improper installation or use. Liability is limited to replacement of a faulty pump.

This guarantee is not transferable. It does not affect your statutory rights. To obtain the benefits of the guarantee, firstly contact Hozelock Cyprio Consumer Services who may request that the pump is sent along with proof of purchase directly to the address below.

Hozelock Cyprio Ltd.

Midpoint Park, Birmingham

B76 1AB, England

Telephone: 0121 313 1122

[www.hozelock.com](http://www.hozelock.com)

### Performance\*

Aquaforce	1000	2500	4000	6000	8000	12000	15000
Saleable Part Number	1580	1581	1582	1583A	1584A	1585A	1586A
Volts (V)	230V 50Hz	230V 50Hz	230V 50Hz	230V 50Hz	230V 50Hz	230V 50Hz	230V 50Hz
Power (W)	25	30	50	65	95	130	180
Max Flow, Qmax (l/hr)	1000	2500	4000	6000	8000	12000	15000
Max Head, Hmax (m)	1.5	2.1	2.5	3.5	4.0	5.0	5.7
IP Rating	IPX8	IPX8	IPX8	IPX8	IPX8	IPX8	IPX8
Max submersion depth (m)	2.5	2.5	2.5	2.5	2.5	2.5	2.5
Max Water Temperature, Tmax (°C)	35°C	35°C	35°C	35°C	35°C	35°C	35°C
Amphibious use	✗	✗	✗	✓	✓	✓	✓

\*Measured under controlled condition

F

Merci d'avoir choisi un produit de qualité Hozelock, vous pouvez être certain que ce produit assurera de nombreuses années de service fiable.



**CET APPAREIL EST DESTINÉ À UN USAGE DOMESTIQUE.**

**LIRE ATTENTIVEMENT CES**

**INSTRUCTIONS AVANT INSTALLATION.**

**LE NON RESPECT DES INSTRUCTIONS SUIVANTES PEUT ENTRAÎNER DES BLESSURES, ENDOMMAGER L'APPAREIL OU PROVOQUER LA PERTE DE POISSONS.**

**CONSERVEZ CES INSTRUCTIONS POUR RÉFÉRENCE ULTÉRIEURE.**

**VOUS POUVEZ ÉGALEMENT TÉLÉCHARGER CES INSTRUCTIONS À L'ADRESSE <http://www.hozelock.com/customer-service/instruction-leaflets.html>.**

### Contenu

(Fig.1) Avant de procéder à l'installation, vérifiez que tous les éléments sont présents dans l'emballage.

- A. Insert de protection des petits poissons
- B. Pompe
- C. Adaptateur de sortie
- D. Joint sphérique
- E. Queue de tuyau et écrou
- F. Cage de filtre
- G. Bouchon d'extrémité
- H. Contrôle du débit
- I. Mode d'emploi

## Introduction

Cette pompe Cyprio Aquaforce Hozelock fonctionne à l'électricité et est conçue pour pomper des matières solides d'un diamètre maximum de 10 mm, tout en ne nécessitant qu'un entretien minimal du pré-filtre. Ces pompes conviennent particulièrement pour pomper l'eau vers les filtres externes ou pour une utilisation dans des cascades ou des canaux à fort débit où il est important que l'entretien soit réduit au minimum. La pompe n'a pas besoin d'huile ni de graisse pour sa lubrification et peut être utilisée en toute sécurité dans les bassins contenant des poissons et des plantes. Le moteur comprend un stator scellé et un rotor à refroidissement par eau. Tous les composants électriques sont isolés de l'eau.

### AVERTISSEMENT

#### COUPE-CIRCUIT AUTOMATIQUE

Afin d'assurer la longévité de votre pompe et éviter tout dommage, elle est équipée d'une protection de surcharge thermique automatique. Ceci arrête la pompe en cas de surchauffe. Si cela se produit, coupez l'alimentation secteur de la pompe. Vérifiez la cause de la surchauffe. Ce sont généralement des débris qui bloquent les entrées de la pompe ou bien qui obstruent la roue. Retirez le blocage et attendez 15 minutes pour que la pompe refroidisse, puis rallumez-la.

## Conseils de Sécurité

1. Cette pompe a été conçue uniquement pour une utilisation dans des bassins. N'utilisez cette pompe que pour le fonctionnement de systèmes de filtre de bassin, des jeux d'eau, des cascades etc. N'utilisez jamais cette pompe pour d'autres applications (par exemple dans les piscines, les salles de bain, les systèmes de chauffage central etc.). L'utilisation de ce produit dans toute autre application, peut entraîner des blessures ou des dommages au produit.
2. **Important** – Cet appareil doit être uniquement utilisé par ou sous la surveillance d'un adulte responsable qui est capable de l'utiliser en toute sécurité et comprend les dangers qui en découlent. Utilisez et rangez cet appareil hors de la portée des enfants et des personnes présentant des capacités physiques, sensorielles ou mentales réduites.
3. **AVERTISSEMENT** : Il est impératif de débrancher ou de déconnecter de la source d'électricité tous les équipements qui se trouvent dans le bassin avant de mettre vos mains dans l'eau pendant que vous installez, réparez, entretenez ou manipulez ces équipements. **N'immergez jamais dans l'eau l'extrémité raccordée du câble.**
4. Ne jamais soulever la pompe hors de l'eau en se servant du câble d'alimentation électrique, cela pourrait endommager l'appareil. Nous vous

recommandons, pour soulever la pompe, de passer une corde dans l'anse de la cage de filtre, lors de l'installation en eaux profondes de la pompe.

5. Ne pas faire fonctionner la pompe lorsqu'il gèle et ne la laisser dehors en cas de gel.
6. Protéger la pompe de l'exposition directe au soleil qui peut causer une surchauffe du moteur.
7. Ne jamais laisser la pompe fonctionner sans eau.
8. Ne pas faire fonctionner la pompe sans la cage de filtre fixée correctement. Toute utilisation de la pompe sans la cage de filtre peut rendre votre garantie invalide.
9. **ATTENTION** : ce produit ne convient pas pour des eaux d'une température supérieure à 35°C.
10. **ATTENTION** : ne pas faire fonctionner ce produit si le câble de l'alimentation secteur ou le moteur est endommagé de quelque façon que ce soit. Le câble d'alimentation fourni ne peut pas être remplacé, car il est logé de manière permanente dans le compartiment moteur. Il faut donc en disposer conformément à la réglementation locale.
11. Si vous vivez dans une zone où l'eau est très calcaire (une eau avec à forte teneur en calcaire ou tartre), la pompe, l'assemblage du rotor et l'intérieur du moteur devront être nettoyés à intervalles réguliers (Voir ENTRETIEN).
12. N'utilisez que des accessoires qui ont été conçus pour une utilisation avec ce produit. L'utilisation d'autres accessoires peut rendre votre garantie invalide.
13. Cette pompe n'est pas destinée à être utilisée dans de l'eau salée ou de l'eau de mer.
14. Pour les hauteurs de charge maximales de ces pompes, veuillez vous référer au tableau situé à la fin de ces instructions.

## Les Connexions Électriques

1. **AVERTISSEMENT** : Il est impératif de débrancher ou de déconnecter de l'alimentation électrique tous les équipements qui se trouvent dans le bassin, avant de mettre vos mains dans l'eau pendant que vous installez, réparez, faites l'entretien ou manipulez tout équipement se trouvant dans l'eau.
2. Vérifiez que le voltage indiqué sur l'unité correspond à l'alimentation secteur.
3. La pompe est fournie avec un câble électrique de 10m à 3 fils, connecté en permanence et scellé au moteur.  
Le câble secteur ne peut pas être changé. S'il est endommagé, la pompe doit être mise au rebut.  
La prise de ce produit n'étant pas imperméable, elle devra être placée dans un boîtier étanche et sec.
4. Un dispositif de courant résiduel (RCD) de 10mA ou 30mA doit être monté sur l'alimentation secteur.

5. L'installation doit être conforme à la réglementation nationale et locale en matière de câblage qui peut nécessiter l'utilisation d'un conduit en plastique ou en métal pour protéger le câble.
6. **AVERTISSEMENT** : cet appareil doit être connecté sur une alimentation mise à la terre
7. Le câble de la pompe (et le câble de rallonge) doit être positionné et protégé de manière adéquate contre les dommages, que pourraient causer, en particulier, les équipements de jardin (les tondeuses à gazon, les fourches etc.), les enfants et les animaux domestiques.

## Installation

**NOTE** : Lorsqu'elle est utilisée de manière amphibie, la pompe à sec DOIT être positionnée horizontalement, comme illustré.

Fig. 2 & 3

## Assemblage de Pompe & Installation - Fonctionnement Sous L'eau

1. Ouvrez les attaches à chaque extrémité de la cage de filtre et ouvrez la cage. (Fig 1 – F).
2. Retirez l'insert de protection des petits poissons (Fig. 1–A).
3. Retirez & déballez le joint sphérique, les queues de tuyau & le contrôle du débit (Fig 1 - D, E & H).
4. Retirez le câble d'alimentation secteur et déroulez-le.
5. Assurez-vous que la sortie de la pompe est bien fixée à l'adaptateur de sortie (Fig 1 - C). Installez la pompe sur sa zone de montage et assurez-vous que l'adaptateur est bien entré dans les fentes situées dans les nervures sur le devant de la cage inférieure (Fig 4).  
**Note**: L'adaptateur doit être orienté de façon à ce que la sortie se trouve au fond de la cage (Fig. 5).
6. Introduisez le câble d'alimentation secteur dans l'évidement sur le côté de la cage. Assurez-vous qu'il est dans la position correcte afin qu'il ne soit pas coincé lors de la fermeture de la cage. (Fig 6). Réinstallez l'insert de protection des petits poissons.
7. Refermez le couvercle de la cage, en vous assurant que le bouchon de fermeture (Fig 1 - g) est dans sa position correcte et en appuyant au milieu des attaches (Fig 7).
8. Vérifiez que les bossages d'entrée et de sortie du joint sphérique sont alignés, vissez fermement l'écrou sur le pas de vis sur l'adaptateur de sortie (Fig 8).
9. L'utilisation de tuyaux de petit diamètre crée une restriction excessive du débit de l'eau. Plus le diamètre du tuyau utilisé est grand, plus les

performances de la pompe sont meilleures, en particulier, lorsque la longueur du tuyau est importante. La queue de tuyau fournie avec cette unité convient à des tuyaux de diamètre de 25mm, 32mm et 40mm ainsi qu'à des pas de vis de 3/4" BSP pour y fixer les accessoires de fontaine. Nous recommandons toujours que sur les pompes de cette taille et quand elles sont utilisées comme pompe de cascade ou combinées à un filtre (Fig 2 & 3), le diamètre du tuyau utilisé soit de 40mm. Une fois que vous avez sélectionné le diamètre du tuyau que vous désirez utiliser, coupez les longueurs dégressives de la queue de tuyau qui sont plus petites que le diamètre du tuyau afin de supprimer le resserrement (Fig 9). Fixez un tuyau d'une longueur suffisante sur la queue de tuyau et fixez-le à l'aide d'une attache de tuyau appropriée puis positionnez la sortie de tuyau dans la position désirée.

10. Vissez directement la queue de tuyau sur le bossage de sortie du joint sphérique (Fig 10). Vous pouvez faire pivoter le joint sphérique de manière à ce que le tuyau ne soit pas orienté vers la pompe.

### Position

11. Pour obtenir les meilleurs résultats, la pompe doit être placée dans la partie la plus profonde du bassin. Ceci permettra d'obtenir la meilleure circulation possible de l'eau du bassin et lorsqu'elle est utilisée comme pompe de filtration, la capacité de la pompe à traiter les particules solides est maximisée.

Pour obtenir les meilleurs résultats, la pompe ne doit pas être placée directement sur le fond du bassin. Nous recommandons d'installer la pompe sur une plate-forme horizontale, à une hauteur d'environ 300mm du fond du bassin. Ceci empêchera la pompe d'aspirer les saletés directement du fond du bassin et assurera aussi qu'il reste suffisamment d'eau dans le bassin, dans le cas d'une fuite accidentelle de l'eau du bassin (Voir fig 11).

Ne jamais soulever la pompe en utilisant le câble d'alimentation secteur fourni, car cela peut entraîner des dommages. Nous vous recommandons pour la soulever, d'attacher une corde à la poignée sur la cage de filtre, lorsque la pompe est installée dans des eaux profondes.

### Insert de protection des petits poissons

12. Si vous possédez des poissons ou d'autres animaux aquatiques dans votre bassin, ces derniers se reproduiront durant certaines périodes de l'année. Pendant ces périodes, les alevins sont de petite taille et peuvent être aspirés dans la pompe. Pour réduire au minimum cette éventualité, la gamme de pompes Aquaforce est équipée d'un insert de protection pour petits poissons unique en son genre, qui réduit le diamètre des trous d'entrée du

filtre à 2 mm à ce stade critique du cycle de vie des poissons. Pour utiliser ce système, placez les quatre pieds de l'insert dans la zone correspondante dans la cage inférieure comme indiqué dans la Figure 12 et assurez-vous que l'insert est orienté dans le bon sens. Fermez le dessus de la cage ainsi que les attaches. Quand l'insert est utilisé, il peut être nécessaire de nettoyer les blocages de la cage de filtre plus souvent. Une fois que les poissons ou les autres animaux aquatiques ont atteint une taille suffisante, vous pouvez retirer l'insert de la cage de votre pompe et rétablir ainsi les trous du filtre à leur diamètre maximum de 10 mm.

## Utilisation du Robinet de Réglage de Débit

Le robinet de réglage de débit (Fig 1 - h) peut faire varier la quantité d'eau qui pénètre dans la pompe. De manière alternative, il peut être utilisé pour connecter une deuxième entrée à la pompe, comme par exemple un filtre satellite ou une écumoire. N'utilisez pas le robinet de réglage de débit lorsque la pompe est utilisée de manière amphibie.

1. Ouvrez la cage et retirez le bouchon d'extrémité (Fig 1 - G).
2. Fermez le robinet de réglage de débit en faisant pivoter la partie extérieure jusqu'à ce que les flèches soient alignées.
3. Vissez fermement le robinet de réglage de débit sur l'entrée de la pompe en alignant les flèches sur le robinet de réglage de débit avec la flèche au centre du dessus de la chambre de la pompe (Fig 13).
4. Installez la pompe dans la cage. Assurez-vous que les fentes de l'adaptateur de sortie sont alignées avec les nervures de la cage inférieure et que l'anse du robinet de réglage de débit est à l'extérieur de la cage (Fig 14).
5. Pour utiliser en tant que le robinet de réglage de débit, vissez le bouchon d'extrémité à la partie libre du robinet de réglage de débit.
6. Faites pivoter la poignée dans la position désirée. Ceci permet de varier la taille de l'ouverture sur du robinet de réglage de débit. La flèche sur la poignée s'aligne avec le pointeur sur l'extérieur de la cage supérieure. Quand la pointe de la flèche est alignée avec le pointeur sur l'extérieur de la cage de filtre, ceci indique un débit minimum. Quand la partie la plus large de la flèche est alignée avec le pointeur, ceci indique un débit maximum (voir Fig. 14).
7. Introduisez le câble dans son logement (Voir point 6 sous Fonctionnement immergé), fermez le couvercle de la cage et fixez les attaches.
8. Pour utiliser une deuxième entrée, connectez un tuyau d'une longueur suffisante à une queue

de tuyau de diamètre approprié et vissez-le sur l'extrémité libre du régleur de débit à la place du bouchon d'extrémité (Fig 15).

9. L'autre extrémité du tuyau peut être connectée à un filtre satellite (Fig 17) (disponible comme pièce détachée chez Hozelock) ou à une écumoire (Fig 16).
10. En faisant pivoter la poignée du régleur de débit, la quantité d'eau qui sort du filtre satellite ou de l'écumoire peut être variée.

## Installation de la Pompe - Amphibie

Cette pompe peut être utilisée de manière amphibie (c'est à dire qu'elle peut être utilisée lorsqu'elle n'est pas immergée)

**AVERTISSEMENT!** Assurez-vous que l'air ne pénètre pas dans l'unité et que celle-ci ne fonctionne pas à sec, sinon elle pourrait être endommagée !

**AVERTISSEMENT :** Il est impératif de débrancher ou de déconnecter de la source d'électricité tous les équipements qui se trouvent dans le bassin avant de mettre vos mains dans l'eau pendant que vous installez, réparez, entretenez ou manipulez ces équipements.

**NOTE:** Cette pompe ne s'auto initialise pas. Le tuyau d'aspiration et la pompe doivent être remplis d'eau avant la mise en marche de la pompe.

1. Ouvrez les attaches à chaque extrémité de la cage de filtre, ouvrez la cage et retirez-en tout le contenu.
2. Dévissez l'adaptateur de sortie de la sortie de la pompe et placez-le dans les nervures dans la cage inférieure (Fig 18)
3. Placez la pompe sous la surface de l'eau près du côté du bassin pour permettre à l'eau de pénétrer dans la chambre de la pompe (non auto-aspirante) (Fig 19).
4. Coupez 2 queues de tuyau à la taille requise (Voir point 9 sous Fonctionnement immergé). Fixez un tuyau d'une longueur appropriée à chaque queue de tuyau et fixez-le à l'aide d'attaches de tuyau appropriées.
5. Immergez le tuyau d'entrée sous la surface de l'eau en vous assurant que le tuyau est complètement rempli d'eau. Vissez la queue de tuyau dans l'entrée de la pompe, en vous assurant de son étanchéité à l'aide du joint fourni (Fig 20).
6. Fixez le tuyau de sortie à la sortie de la pompe en la vissant sur la queue de tuyau. Assurez-vous de son étanchéité à l'aide du joint fourni (Fig 21).
7. Vérifiez que la chambre de la pompe et le tuyau sont remplis d'eau et mettez en marche la pompe. La pompe peut maintenant être retirée de l'eau et placée à l'endroit où elle fonctionnera de manière amphibie, en s'assurant que l'extrémité d'entrée du tuyau reste immergée.

8. Pour éviter des blocages dans la pompe, connectez la cage à l'extrémité d'entrée du tuyau d'entrée en utilisant une autre queue de tuyau.
9. Lorsque vous utilisez la pompe de manière amphibie, protégez-la de l'exposition directe au soleil, car cela peut surchauffer le moteur.
10. Le joint sphérique n'est pas conçu pour être utilisé hors de l'eau

## Entretien

La gamme des pompes Aquaforce d'Hozelock Cyprio a été conçue pour permettre un entretien rapide et facile. Pour prolonger la vie utile de votre pompe et la conserver dans le meilleur état possible, vous devez respecter les conseils d'entretien qui suivent :

**Avertissement :** Il est impératif de débrancher ou déconnecter de l'alimentation secteur TOUS les équipements qui se trouvent dans le bassin, avant de mettre vos mains dans l'eau, ou d'entreprendre des travaux d'entretien.

1. Quand la pompe vient d'être installée, vous devez vérifier son bon fonctionnement quotidiennement.
2. Si vous vous apercevez d'une baisse des performances (un débit faible) vous devez nettoyer la cage de filtre. Les intervalles entre le nettoyage varient selon les conditions de l'eau de votre bassin. Ce nettoyage peut devenir hebdomadaire pendant les mois d'été. Pour nettoyer la cage de filtre, ouvrez les attaches et retirez la pompe. La cage peut être ensuite essuyée pour retirer tous les débris qui bloquent les trous du filtre, puis lavée dans de l'eau propre. Vérifiez qu'il n'y a pas de débris dans la chambre de la pompe et le rotor
3. Au moins une fois par an, vous devez entièrement démonter la pompe, y compris l'assemblage du rotor, comme décrit ci-dessous et laver tous les composants dans de l'eau claire et propre. Remplacez les pièces usées ou cassées.

### Démontage & Assemblage de la pompe (6000 & 8000) - Fig 22 & 24

1. Éteignez la pompe et retirez la cage de filtre comme décrit ci-dessus puis retirez la pompe.
2. Assurez-vous que la pompe a refroidi avant d'entreprendre de la démonter.
3. Dévissez les 4 vis cruciformes (a) de la chambre.
4. Tirez doucement la chambre de la pompe (d) tout droit en l'éloignant du corps du moteur (e).
5. Tirez l'assemblage du rotor (c) pour le dégager du corps du moteur. Important ! Prenez soin de ne pas laisser tomber l'assemblage du rotor.
6. Lavez tous les composants dans de l'eau propre. N'utilisez pas de détergents ou de produits chimiques.
7. Assurez-vous que le joint torique (d) est bien positionné dans son sillon (Fig. 24a & 24b).
8. Remplacez l'assemblage du rotor dans le corps du

moteur, en vous assurant que les trous du plateau derrière la roue sont placés sur les fiches sur le corps du moteur (Fig. 24c & 24d).

9. Remontez la chambre de pompe. Faites tourner la chambre afin d'aligner les trous de vis puis resserrez les vis en veillant à ne pas pousser les écrous dans le corps du moteur (Fig. 24e).
10. Remplacez la pompe dans la cage de filtre.

### Démontage & Assemblage de la pompe (12000 & 15000) - Fig 23 & 25

1. Éteignez la pompe et retirez la cage de filtre comme décrit ci-dessus puis retirez la pompe.
2. Assurez-vous que la pompe a refroidi avant d'entreprendre de la démonter.
3. Dévissez les 4 vis cruciformes (a) de la chambre.
4. Faites pivoter puis tirez doucement la chambre de la pompe (d) tout droit en l'éloignant du corps du moteur (e).
5. Tirez l'assemblage du rotor (c) pour le dégager du corps du moteur.  
Important ! Prenez soin de ne pas laisser tomber l'assemblage du rotor.
6. Lavez tous les composants dans de l'eau propre. N'utilisez pas de détergents ou de produits chimiques.
7. Remontez l'assemblage du rotor dans le corps du moteur (Fig. 25a) en vous assurant que les trous du plateau derrière la roue sont placés sur les fiches sur le corps du moteur (Fig. 25b).
8. Notez que le sillon du joint torique se forme lorsque le rotor est correctement positionné (Fig. 25c). Posez le joint torique (d) sur le rotor. Assurez-vous que le joint torique est correctement positionné entre le plateau du rotor et le corps du moteur (Fig. 25d).
9. Remontez la chambre de pompe. Faites tourner la chambre afin d'aligner les trous de vis puis resserrez les vis en veillant à ne pas pousser les écrous dans le corps du moteur (Fig. 25e).
10. Remplacez la pompe dans la cage de filtre.

## Rangement d'hiver

1. Vous devez retirer votre pompe du bassin pendant l'automne.
2. Nettoyez la pompe comme décrit ci-dessus.
3. Pendant l'hiver, nous vous recommandons d'entreposer la pompe dans un seau d'eau. Ceci pour empêcher les roulements à billes de sécher et de se gripper. Ceci est particulièrement important si vous avez utilisé la pompe dans une zone où l'eau est très calcaire. Le seau d'eau qui contient la pompe doit être entreposé dans un endroit protégé du gel.

**Important – Conservez cette section comme future référence.**

### FAIBLE DÉBIT DE LA POMPE

1. Assurez-vous que la cage de filtre est propre.
2. Un tuyau de sortie de petit diamètre réduira le débit de sortie.
3. Assurez-vous qu'il n'y a pas de blocage dans la chambre de la pompe.
4. En cas d'utilisation amphibique de la pompe, s'assurer que le joint sphérique n'est pas utilisé, par contre vérifier que les joints fournis le sont lors de la fixation de la queue de tuyau sur les pompes.

### PAS DE DÉBIT DE LA POMPE

1. Vérifiez que l'alimentation secteur est allumée.
2. Vérifiez le fusible, le RCD et le câblage.
3. Vérifiez que l'assemblage du rotor n'est pas coincé, bloqué, endommagé ou donne des signes d'usure excessive.
4. Assurez-vous que la cage de filtre est propre.
5. La protection de surcharge thermique s'est déclenchée. (voir INTRODUCTION).

S'il devient impossible, à l'exception de l'assemblage du rotor, de faire fonctionner cette pompe dans les 3 ans à compter de la date de l'achat, elle sera réparée ou remplacée selon l'option que nous choisirons, ceci gratuitement, à moins que selon nous, elle ait été endommagée ou utilisée à mauvais escient. Pour faire passer cette garantie de 3 à 5 ans, veuillez vous inscrire à <http://register.hozelock.com>.

Aucune responsabilité pour des dommages dus à un accident, une mauvaise installation ou utilisation n'est pas acceptée. La responsabilité est limitée au remplacement d'une pompe défectueuse.

Cette garantie n'est pas cessible. Elle ne porte pas atteinte à vos droits légaux. Pour obtenir bénéficier de la garantie, vous devez en premier lieu, contacter le service client d'Hozelock Cyprio qui peut vous demander de lui envoyer la pompe avec les justificatifs de son achat à l'adresse indiquée ci-dessous.

[www.hozelock.com](http://www.hozelock.com)

## Performances\*

Aquaforce	1000	2500	4000	6000	8000	12000	15000
Numéro des pièces vendables	1580	1581	1582	1583A	1584A	1585A	1586A
Volts (V)	230V 50Hz	230V 50Hz	230V 50Hz	230V 50Hz	230V 50Hz	230V 50Hz	230V 50Hz
Puissance (w)	25	30	50	65	95	130	180
Débit Max, QMax, (l/hr)	1000	2500	4000	6000	8000	12000	15000
Hauteur d'eau maxi, HMax, (m)	1.5	2.1	2.5	3.5	4.0	5.0	5.7
Indice de protection IP	IPX8	IPX8	IPX8	IPX8	IPX8	IPX8	IPX8
Profondeur de submersion maxi. (m)	2.5	2.5	2.5	2.5	2.5	2.5	2.5
Température de l'eau maxi. TMax, (°C)	35°C	35°C	35°C	35°C	35°C	35°C	35°C
Utilisation amphibie	✗	✗	✗	✓	✓	✓	✓

\*Mesures faites sous contrôle

**D**

Vielen Dank, dass Sie sich für ein Qualitätsprodukt von Hozelock entschieden haben, welches Ihnen für viele Jahre einen zuverlässigen Dienst erweisen wird.



**DIESES GERÄT EIGNET SICH NUR FÜR DEN PRIVATEN GEBRAUCH.**

**LESEN SIE DIESE ANWEISUNGEN SORGFÄLTIG DURCH, BEVOR SIE DIE**

**INSTALLATION ANGEHEN.**

**EINE NICHTBEACHTUNG DER FOLGENDEN HINWEISE KANN ZU VERLETZUNGEN, PRODUKTSCHÄDEN UND ZUM VERLUST VON FISCHEN FÜHREN.**

**BEWAHREN SIE DIESE GEBRAUCHSANLEITUNG ZUR SPÄTEREN BEZUGNAHME AUF.**

**SIE KÖNNEN DIESE ANLEITUNG AUCH UNTER**

**<http://www.hozelock.com/customer-service/instruction-leaflets.html>**

## Inhalt

**(Abb.1) Vor der Installation prüfen, ob alle Teile vorhanden sind.**

A. Schutzinsatz für kleine Fische

B. Pumpe

C. Auslassadapter

D. Kugelgelenk

E. Schlauchstutzen und Mutter

F. Filterkäfig

G. Endkappe

H. Mengeregler

I. Bedienungsanleitung

## Einführung

Die Pumpe ist elektrisch betrieben und zum Pumpen von Partikeln mit einem Durchmesser von bis zu 10 mm ausgelegt. Der Wartungsaufwand für den Vorsieb ist minimal. Diese Arten von Pumpen sind besonders geeignet, um Wasser zu Außenfiltern zu pumpen. Sie eignen sich außerdem hervorragend für Wasserfälle, durch die viel Wasser läuft, sowie für Wasserläufe, bei denen ein geringer Wartungsaufwand wichtig ist. Da die Pumpe weder mit Öl noch mit Fett geschmiert ist, kann sie bedenkenlos in Teichen mit Fischen oder Pflanzen verwendet werden. Der Motor besteht aus einem dicht gekapselten Stator und einem wassergekühlten Rotor. Alle elektrischen Teile sind gegen das Wasser abgedichtet.

### ACHTUNG

#### AUTOMATISCHE ABSCHALTUNG

Damit Sie viele Jahre lang Freude an Ihrer Pumpe haben und um Schäden vorzubeugen, ist die Pumpe mit einem automatischen thermischen Überlastschutz versehen. Dieser schaltet die Pumpe ab, wenn sie

überhitzt. Die Pumpe in diesem Fall ausschalten und den Stecker der Pumpe aus der Steckdose ziehen. Nach der Ursache suchen. In der Regel sind die Einlässe der Pumpe verstopft oder das Laufrad kann sich nicht drehen. Das Problem beseitigen und warten, bis die Pumpe abgekühlt ist. Dann die Pumpe wieder einschalten.

## Allgemeine Sicherheitshinweise

1. Diese Pumpe wurde speziell für Teiche entwickelt. Die Pumpe nur für den Betrieb von Teichfiltersystemen, Wasserspielen, Wasserfällen etc. verwenden. Die Pumpe nicht für andere Zwecke benutzen (z. B. in Swimming-Pools, Badezimmern, Zentralheizungsanlagen etc.) Wird das Produkt anderweitig verwendet, besteht die Gefahr einer Verletzung bzw. einer Beschädigung des Produkts.
2. **Wichtig** - Dieses Gerät darf nur durch oder unter Aufsicht eines verantwortlichen Erwachsenen verwendet werden, welcher in der Lage ist, das Gerät sicher zu verwenden und der die damit verbundenen Gefahren versteht. Verwenden und lagern Sie dieses Gerät außerhalb der Reichweite von Kindern und Personen mit eingeschränkten physischen, sensorischen oder geistigen Fähigkeiten.
3. **ACHTUNG:** Während der Installation, Reparatur, Wartung oder Handhabung der Ausrüstung müssen immer alle Geräte im Teich von der Stromversorgung getrennt sein, bevor Sie Ihre Hände ins Wasser tauchen. **Niemals den Stecker des Kabels ins Wasser tauchen.**
4. Die Pumpe niemals am Netzkabel hochziehen, da dies zu Schäden führen kann. Wenn die Pumpe in tiefem Wasser installiert wird, empfehlen wir, eine Schnur am Griff auf dem Siebkäfig zu befestigen, damit die Pumpe leichter aus dem Wasser gehoben werden kann.
5. Die Pumpe nicht bei Frost betreiben oder in frostiger Umgebung belassen.
6. Die Pumpe vor direktem Sonnenlicht schützen. Durch direktes Sonnenlicht kann der Motor überhitzen.
7. Die Pumpe niemals trocken laufen lassen.
8. Diese Pumpe nicht ohne den ordnungsgemäß angebrachten Siebkäfig laufen lassen. Wenn die Pumpe ohne den Siebkäfig verwendet wird, kann Ihre Garantie nichtig werden.
9. **ACHTUNG:** Dieses Produkt ist nicht für Wassertemperaturen über 35°C geeignet.
10. **ACHTUNG:** Dieses Produkt nicht betreiben, wenn das Netzkabel oder der Motor in irgendeiner Weise beschädigt wurde. Das Netzkabel kann nicht ersetzt werden, da es fest mit dem Motorgehäuse verbunden ist. Bei einem beschädigten Netzkabel muss die komplette Pumpe entsprechend der örtlichen Vorschriften entsorgt werden.

11. Wenn Sie in einer Hartwassergegend wohnen, sollten die Pumpe, die Rotorbaugruppe und die Innenseite des Motors in regelmäßigen Abständen gereinigt werden (siehe WARTUNG).
12. Nur Zubehör verwenden, das speziell für dieses Produkt entwickelt wurde. Die Verwendung anderen Zubehörs kann Ihre Garantie nichtig machen.
13. Diese Pumpe ist nicht für den Einsatz in Salz- oder Meerwasser geeignet.
14. Die maximale Förderhöhe dieser Pumpen können Sie der Tabelle am Ende dieser Anleitung entnehmen.

## Netzanschluss

1. **ACHTUNG:** Immer alle Stecker von Geräten, die sich im Teich befinden, aus der Steckdose herausziehen, und erst dann die Hände ins Wasser strecken, um Geräte zu installieren, zu reparieren, zu warten oder zu bedienen.
2. Die Pumpe darf nur an einer Steckdose angeschlossen werden, deren Netzspannung mit der auf dem Typenschild der Pumpe angegebenen Netzspannung übereinstimmt.
3. Die Pumpe wird mit einem 10 m langen dreidadrigen Netzkabel ausgeliefert, das fest am Motor angeschlossen und isoliert ist.  
Das Netzkabel kann nicht ersetzt werden. Wenn das Kabel beschädigt ist, muss die Pumpe weggeworfen werden.  
Der mitgelieferte Stecker ist nicht wasserdicht und muss in einem trockenen und wasserdichten Gehäuse untergebracht werden.
4. An der Netzstromversorgung muss ein Fehlerstrom-Schutzschalter mit 10 mA oder 30 mA angebracht sein.
5. Die Installation muss den nationalen und örtlichen Verdrahtungsvorschriften entsprechen; hierin kann die Verwendung eines Kunststoff- oder Metallisolierrohrs zum Schutz des Kabels eingeschlossen sein.
6. **ACHTUNG:** Dieses Gerät muss an eine geerdete Steckdose angeschlossen werden.
7. Das Pumpenkabel (und das Verlängerungskabel) sollten so verlegt werden, dass sie angemessen vor einer Beschädigung geschützt sind, insbesondere in Bereichen, wo ein Kontakt mit Gartengeräten (Rasenmähern, Forken usw.), Kindern und Haustieren möglich ist.

## Installation

**HINWEIS:** Bei amphibischem Betrieb der Pumpe MUSS die trockene Pumpenseite horizontal positioniert werden (siehe Abbildung).

See Abb. 2 & 3

## Montage und installation der pumpe - Unterwasserbetrieb

1. Klemmen an einem beliebigen Ende des Siebkäfigs öffnen und den Käfig öffnen (Abb. 1 - F).
2. Den Schutzinsatz für kleine Fische ausbauen (Abb. 1-A).
3. Kugelgelenk, Schlauchstutzen und Mengenregler herausnehmen und auspacken (Abb. 1 - d, e und h).
4. Netzkabel herausnehmen und abwickeln.
5. Auslass der Pumpe am Auslassadapter befestigen, sofern dies noch nicht geschehen ist (Abb. 1 - c). Pumpe auf ihren Montagebereich setzen und dabei darauf achten, dass das Adapterstück in die Positionsrillen an der Vorderseite des unteren Käfigs eingreift (Abb. 4).

**Hinweis:** Der Adapter sollte so ausgerichtet werden, dass sich der Auslass an der Unterseite des Käfigs befindet (Abb. 5).

6. Netzkabel in die Vertiefung an der Seite des Käfigs legen. Das Netzkabel muss so in der Vertiefung liegen, dass es beim Schließen des Käfigs nicht eingeklemmt wird. (Abb. 6).  
Den Schutzinsatz für kleine Fische wieder einsetzen.
7. Käfigdeckel schließen und dabei darauf achten, dass sich die Endkappe (Abb. 1 - g) in der richtigen Position befindet. Durch Drücken in die Mitte der Klemmen befestigen (Abb. 7).
8. Prüfen, ob die Einlass- und Auslassvorsprünge des Kugelgelenks aufeinander ausgerichtet sind. Dann die Mutter fest auf das Schraubgewinde am Auslassadapter schrauben (Abb. 8).
9. Wenn Schläuche mit kleinen Durchmessern verwendet werden, wird der Wasserdurchlauf übermäßig eingeschränkt. Je größer der Durchmesser des verwendeten Schlauches, desto höher die Pumpenleistung. Dies gilt insbesondere für lange Schläuche. Der mitgelieferte Schlauchstutzen eignet sich für Schläuche mit einem Durchmesser von 25 mm (1"), 32 mm (1,25") und 40 mm (1,6") sowie für 3/4"-BSP-Schraubgewinde zum Anbringen von Fontänenzubehör. Wir würden immer empfehlen, dass bei Pumpen dieser Größe der 40-mm-Durchmesser-Schlauch verwendet werden sollte, wenn die Pumpe als Wasserfallpumpe oder in Kombination mit einem Filter eingesetzt wird (Abb. 2 und 3). Nach Auswahl des gewünschten Schlauchdurchmessers die Stücke am Schlauchstutzen abschneiden, die kleiner als der Schlauchdurchmesser sind. Auf diese Weise kann das Wasser ungehindert durch den Schlauch laufen (Abb. 9). Einen Schlauch in geeigneter



Länge an den Schlauchstutzen anschließen und mit einer geeigneten Schlauchklemme befestigen. Auslassende des Schlauches in die gewünschte Richtung legen.

10. Schlauchstutzen direkt auf den Auslassvorsprung des Kugelgelenks schrauben (Abb. 10). Das Kugelgelenk kann gedreht werden, um den Schlauch von der Pumpe weg zu verlegen.

### Aufstellen der Pumpe im Teich

11. Um die besten Ergebnisse zu erzielen, sollte die Pumpe an der tiefsten Stelle im Teich aufgestellt werden. Dadurch wird die beste Zirkulation des Wassers im Teich gewährleistet. Wenn die Pumpe zum Filtern verwendet wird, maximiert sich hierdurch die Leistung beim Filtern von Partikeln. Um die besten Ergebnisse zu erzielen, sollte die Pumpe nicht direkt auf dem Grund des Teiches aufgestellt werden. Wir empfehlen, die Pumpe auf einer geraden Plattform zu installieren, die ca. 300 mm über dem Grund des Teiches aufgestellt wird. Hierdurch wird verhindert, dass die Pumpe direkt vom Grund des Teiches Schmutz ansaugt. Außerdem wird hierdurch gewährleistet, dass im Falle eines unbeabsichtigten Auslaufens des Teichwassers genügend Wasser im Teich bleibt (siehe Abb. 11).

Die Pumpe niemals am Netzkabel hochziehen, da dies zu Schäden führen kann. Wenn die Pumpe in tiefem Wasser installiert wird, empfehlen wir, eine Schnur am Griff auf dem Siebkäfig zu befestigen, damit die Pumpe leichter aus dem Wasser gehoben werden kann.

### Schutzinsatz für kleine Fische

12. Wenn Sie Fische oder anderes Wildleben in Ihrem Teich haben, kann es zu einer bestimmten Zeit im Jahr passieren, dass die Fische laichen. In dieser Zeit befinden sich viele sehr kleine Fische im Teich, die leicht in die Pumpe gesogen werden können. Um dieses Risiko zu minimieren, verfügt das Aquaforce-Pumpensortiment über einen einzigartigen Schutzinsatz für kleine Fische, der die Größe der Öffnungen am Einlasssieb in dieser kritischen Zeit im Lebenszyklus der Fische auf bis zu 2 mm verkleinert. Zur Verwendung dieser Funktion die 4 Stangen des Einsatzes im entsprechenden Bereich im unteren Käfig wie in Abb. 12 gezeigt einsetzen. Dabei darauf achten, dass das System richtig herum eingesetzt wird. Käfigdeckel schließen und Klemmen befestigen. Während der Einsatz benutzt wird, muss der Siebkäfig unter Umständen häufiger gereinigt werden. Sobald die Fische oder anderes Wildleben groß genug sind, kann der Einsatz aus dem Pumpenkäfig entfernt und die Siebgröße wieder auf die maximale Größe von 10 mm eingestellt werden.

Der Mengenregler (Abb. 1 - H) kann die Wassermenge regulieren, die in die Pumpe fließt. Alternativ kann er zum Anschluss eines zweiten Einlasses an der Pumpe (wie z. B. einen Satellitenfilter oder einen Skimmer) verwendet werden. Den Mengenregler nicht verwenden, wenn die Pumpe amphibisch eingesetzt wird.

1. Käfig öffnen und Endkappe entfernen (Abb. 1 - G).
2. Mengenregler schließen, indem der äußere Teil gedreht wird, bis die Pfeile aufeinander ausgerichtet sind.
3. Mengenregler fest am Einlass der Pumpe anschrauben und dabei die Pfeile am Mengenregler auf den Pfeil in der Mitte der Oberseite der Pumpenkammer ausrichten (Abb. 13).
4. Pumpe in den Käfig einsetzen. Darauf achten, dass die Schlitze im Auslassadapter auf die Rippen im unteren Käfig ausgerichtet sind und dass sich der Griff des Mengenreglers an der Außenseite des Käfigs befindet (Abb. 14).
5. Zur Verwendung als Mengenregler die Endkappe auf das freie Ende des Mengenreglers schrauben.
6. Griff auf die gewünschte Position drehen. Hierdurch wird die Öffnungsgröße am Mengenregler variiert. Der Pfeil am Griff ist auf den Zeiger an der Außenseite des oberen Käfigs ausgerichtet. Wenn das spitze Ende des Pfeils auf den Zeiger auf der Außenseite des Filterkäfigs ausgerichtet ist, ist der Mengenregler auf minimalen Durchfluss eingestellt. Wenn das weite Ende des Pfeils auf den Zeiger ausgerichtet ist, ist der Mengenregler auf maximalen Durchfluss eingestellt (Abb. 14).
7. Kabel in seine Vertiefung legen (siehe Punkt 6 unter „Unterwasserbetrieb“), Käfigdeckel schließen und Klemmen befestigen.
8. Um einen zweiten Einlass zu verwenden, einen Schlauch in der gewünschten Länge an einen Schlauchstutzen anschließen, der auf den entsprechenden Durchmesser zugeschnitten wurde, und ihn dann auf das freie Ende des Mengenreglers schrauben (wo sich normalerweise die Endkappe befindet) (Abb. 15).
9. Das andere Ende des Schlauchs kann an einen Satellitenfilter (Abb. 17) (als Ersatzteil von Hozelock erhältlich) oder an einen Skimmer (Abb. 16) angeschlossen werden.
10. Durch Drehen des Griffes des Mengenreglers kann die Wassermenge, die durch den Satellitenfilter oder den Skimmer strömt, variiert werden.

## Installation der Pumpe - Amphibisch

Diese Pumpe kann auch amphibisch verwendet werden (d. h. sie kann benutzt werden, wenn sie nicht unter Wasser ist).

**ACHTUNG!** Aufpassen, dass die Pumpe keine Luft ansaugt oder trocken läuft - die Pumpe wird in diesen Fällen beschädigt!

**ACHTUNG!** Während der Installation, Reparatur, Wartung oder Handhabung der Ausrüstung müssen immer alle Geräte im Teich von der Stromversorgung getrennt sein, bevor Sie Ihre Hände ins Wasser tauchen.

**HINWEIS:** Diese Pumpe saugt Wasser nicht automatisch an. Der Ansaugschlauch und die Pumpe müssen vor dem Einschalten mit Wasser gefüllt werden.

1. Klemmen an einem beliebigen Ende des Siebkäfigs öffnen, Käfig öffnen und den gesamten Inhalt herausnehmen.
2. Auslassadapter vom Pumpenauslass abschrauben und in die Rippen im unteren Käfig einsetzen (Abb. 18).
3. Pumpe unter die Wasseroberfläche am Rand des Teichs halten, damit Wasser in die Pumpenkammer fließen kann (nicht selbstansaugend) (Abb. 19).
4. 2 Schlauchstutzen auf die erforderliche Größe zuschneiden (siehe Punkt 9 unter „Unterwasserbetrieb“). Einen Schlauch in der gewünschten Länge an jedem Schlauchstutzen anschließen und mit geeigneten Schlauchklemmen befestigen.
5. Einlassschlauch unter die Wasseroberfläche tauchen und darauf achten, dass der Schlauch vollständig mit Wasser gefüllt wird. Schlauchstutzen mit der Unterlegscheibe am Pumpeneinlass anschrauben und sichergehen, dass die Verbindung wasserdicht ist (Abb. 20).
6. Auslassschlauch durch Anschrauben am Schlauchstutzen am Pumpenauslass befestigen. Die mitgelieferte Unterlegscheibe verwenden, um eine wasserdichte Verbindung herzustellen (Abb. 21).
7. Prüfen, ob die Pumpenkammer und der Schlauch mit Wasser gefüllt sind, dann die Pumpe einschalten. Die Pumpe kann jetzt aus dem Wasser herausgenommen und zu ihrer amphibischen Betriebsposition gebracht werden. Dabei aufpassen, dass das Einlassende des Schlauches unter Wasser bleibt.
8. Um ein Verstopfen der Pumpe zu verhindern, den Käfig mit einem anderen Schlauchstutzen mit dem Einlassende des Einlassschlauches verbinden.
9. Wenn die Pumpe amphibisch benutzt wird, die Pumpe vor direktem Sonnenlicht schützen. Durch

direktes Sonnenlicht kann der Motor überhitzen.

10. Das Kugelgelenk darf nicht außerhalb des Wassers benutzt werden.

## Wartung

Das Hozelock Cyprio-Sortiment an Aquaforce-Pumpen wurde so konzipiert, dass eine schnelle und leichte Wartung möglich ist. Um die Lebensdauer Ihrer Pumpe zu verlängern und Ihre Pumpe im allerbesten Zustand zu erhalten, sollten die folgenden Wartungshinweise befolgt werden.

Vorsicht: Bevor Sie die Hände ins Wasser strecken oder mit der Wartung beginnen, immer die Stecker ALLER Geräte, die sich im Teich befinden, herausziehen.

1. Wenn die Pumpe neu installiert ist, sollte sie täglich kontrolliert werden, um sicherzugehen, dass sie ordnungsgemäß funktioniert.
2. Wenn die Leistung abnimmt (geringer Durchfluss), sollte der Siebkäfig gereinigt werden. Reinigungsabstände variieren je nach dem Zustand des Teichwassers. In den Sommermonaten ist unter Umständen eine wöchentliche Reinigung erforderlich. Zum Reinigen des Siebkäfigs die Klemmen öffnen und die Pumpe herausnehmen. Der Käfig kann jetzt ausgewischt werden, um Partikel zu entfernen, die die Sieblöcher verstopfen, und anschließend in sauberem Wasser ausgespült werden. Es sollte auch geprüft werden, ob die Pumpenkammer und der Rotor frei von Partikeln sind.
3. Mindestens einmal pro Jahr sollte die Pumpe einschließlich der Rotorbaugruppe wie nachstehend beschrieben vollständig auseinandergebaut werden und alle Teile sollten in sauberem, frischem Wasser ausgespült werden. Abgenutzte oder zerbrochene Teile ersetzen.

### Demontage und Montage der Pumpe (6000 und 8000) - Abb 22 & 24

1. Pumpe ausschalten und den Siebkäfig wie oben beschrieben herausnehmen. Anschließend die Pumpe herausnehmen.
2. Pumpe erst auseinanderbauen, wenn sie abgekühlt ist.
3. 4 Posidrive-Schrauben (a) in der Kammer abschrauben.
4. Pumpenkammer (d) vorsichtig im rechten Winkel vom Motorgehäuse (a) wegziehen.
5. Rotorbaugruppe (c) aus dem Motorgehäuse herausziehen. Wichtig! Aufpassen, dass die Rotorbaugruppe nicht herunterfällt.
6. Alle Teile in sauberem Wasser auswaschen. Keine Lösungs- oder anderen chemischen Reinigungsmittel verwenden.
7. Prüfen, ob der O-Ring (d) richtig in die Nut eingesetzt ist (Abb. 24a und 24b).
8. Rotorbaugruppe wieder in das Motorgehäuse

einsetzen. Dabei darauf achten, dass sich die Bohrungen in der Platte hinter dem Laufrad über den Stiften am Motorgehäuse befinden. (Abb. 24c und 24d).

9. Pumpenkammer wieder anbringen. Die Kammer drehen, um die Schraublöcher auszurichten. Die Schrauben einsetzen; dabei darauf achten, mit den Schrauben die Muttern nicht aus dem Motorgehäuse zu drücken (Abb. 24e).

10. Die Pumpe wieder in den Siebkäfig einsetzen.

#### **Demontage und Montage der Pumpe (12000 und 15000) - Abb. 23 und 25**

1. Pumpe ausschalten und den Siebkäfig wie oben beschrieben herausnehmen. Anschließend die Pumpe herausnehmen.
2. Pumpe erst auseinanderbauen, wenn sie abgekühlt ist.
3. 4 Posidrive-Schrauben (a) in der Kammer abschrauben.
4. Die Pumpenkammer (b) drehen und im rechten Winkel vom Motorgehäuse (e) wegziehen.
5. Rotorbaugruppe (c) aus dem Motorgehäuse herausziehen.

#### **Wichtig! Aufpassen, dass die Rotorbaugruppe nicht herunterfällt.**

6. Alle Teile in sauberem Wasser auswaschen. Keine Lösungs- oder anderen chemischen Reinigungsmittel verwenden.
7. Rotorbaugruppe wieder in das Motorgehäuse (Abb. 25a) einsetzen. Dabei darauf achten, dass sich die Bohrungen in der Platte hinter dem Laufrad über den Stiften am Motorgehäuse (Abb. 25b) befinden.
8. Es formt sich eine Nut für den O-Ring, wenn der Rotor richtig positioniert wurde (Abb. 25c). Den O-Ring (d) über dem Rotor anbringen. Sicherstellen, dass der O-Ring zwischen Rotorplatte und Motorgehäuse richtig positioniert ist (Abb. 25d).
9. Pumpenkammer wieder anbringen. Die Kammer drehen, um die Schraublöcher auszurichten. Die Schrauben einsetzen; dabei darauf achten, mit den Schrauben die Muttern nicht aus dem Motorgehäuse zu drücken (Abb. 25e).
10. Die Pumpe wieder in den Siebkäfig einsetzen.

## **Winterpflege**

1. Die Pumpe sollte im Herbst aus dem Teich herausgenommen werden.
2. Pumpe wie oben beschrieben reinigen.
3. Über den Winter empfehlen wir, die Pumpe in einem Eimer mit Wasser zu lagern. Hierdurch wird verhindert, dass die Lager austrocknen und sich möglicherweise festfressen. Dies ist besonders wichtig, wenn Sie Ihre Pumpe in einer Hartwassergegend benutzt haben. Der

Wassereimer mit der Pumpe sollte in einem frostgeschützten Bereich gelagert werden.

## **Fehlersuche/Problemlösung**

**Wichtig – Heben Sie diesen Abschnitt auf, damit Sie bei Bedarf jederzeit wieder darauf zurückgreifen können.**

### **PUMPE FÖRDERT KAUM WASSER**

1. Prüfen, ob der Siebkäfig sauber ist.
2. Ein Auslassrohr mit einem kleinen Durchmesser schränkt die Fördermenge der Pumpe ein.
3. Nachsehen, ob die Pumpenkammer verstopft ist.
4. Wenn die Pumpe amphibisch verwendet wird, darf das Kugelgelenk nicht benutzt werden. Außerdem müssen in diesem Fall beim Anbringen des Schlauchstutzens an den Pumpen die Unterlegscheiben verwendet werden.

### **PUMPE FÖRDERT NICHT**

1. Prüfen, ob die Pumpe eingeschaltet ist.
2. Sicherung, Fehlerstrom-Schutzschalter und Verdrahtung prüfen.
3. Prüfen, ob die Rotorbaugruppe klemmt, verstopft, beschädigt oder abgenutzt ist.
4. Prüfen, ob der Siebkäfig sauber ist.
5. Der thermische Überlastschutz wurde ausgelöst. (siehe EINFÜHRUNG)

## **3+2-Jährige Garantie von Hozelock Cyprio**

Sollte diese Pumpe ausschließlich der Rotorbaugruppe innerhalb von 3 Jahren ab Kaufdatum funktionsuntüchtig werden, wird sie nach unserem eigenen Ermessen kostenlos repariert oder ersetzt, sofern sie unserer Ansicht nach nicht beschädigt oder falsch verwendet wurde. Um diese 3-jährige Garantie auf 5 Jahre zu verlängern, registrieren Sie sich bitte unter <http://register.hozelock.com>.

Es wird keine Haftung für Schäden durch Unfälle, unsachgemäße Installation oder Benutzung übernommen. Die Haftung beschränkt sich auf den Austausch einer defekten Pumpe.

Diese Garantie ist nicht übertragbar. Diese Garantie gilt zusätzlich zu den gesetzlichen Sachmängelrechten und sonstigen Rechten des Käufers. Bei Garantieansprüchen zunächst an den Kundendienst von Hozelock Cyprio wenden. U. U. muss die Pumpe zusammen mit dem Kaufbeleg direkt an die unten angegebene Adresse gesendet werden.

**[www.hozelock.com](http://www.hozelock.com)**

## Leistung\*

Aquaforce	1000	2500	4000	6000	8000	12000	15000
Verköfliche Art.-Nr.	1580	1581	1582	1583A	1584A	1585A	1586A
Volt (V)	230V 50Hz	230V 50Hz	230V 50Hz	230V 50Hz	230V 50Hz	230V 50Hz	230V 50Hz
Leistung (w)	25	30	50	65	95	130	180
Maximale Fördermenge, QMax, (l/h)	1000	2500	4000	6000	8000	12000	15000
Maximale Förderhöhe, HMax, (m)	1.5	2.1	2.5	3.5	4.0	5.0	5.7
IP-Schutzart	IPX8	IPX8	IPX8	IPX8	IPX8	IPX8	IPX8
Maximale Tauchtiefe (m)	2.5	2.5	2.5	2.5	2.5	2.5	2.5
Maximale Wassertemperatur TMax, (°C)	35°C	35°C	35°C	35°C	35°C	35°C	35°C
Amphibischer Einsatz	✗	✗	✗	✓	✓	✓	✓

\*Unter kontrollierten Bedingungen gemessen

NL

Hartelijk dank voor het kiezen van een Hozelock kwaliteitsproduct. U bent nu verzekerd van de jarenlange betrouwbaarheid van dit product.



**DIT APPARAAT IS BEDOELD VOOR HUISHOUDELIJK GEBRUIK. LEES DEZE HANDLEIDING ZORGVULDIG VOORDAT U BEGINT MET DE**

**INSTALLATIE.**

**HET NIET OPVOLGEN VAN DE VOLGENDE INSTRUCTIES KAN LEIDEN TOT LETSEL, BESCHADIGING VAN HET APPARAAT EN HET STERVEN VAN VISSSEN.**

**BEWAAR DEZE HANDLEIDING VOOR TOEKOMSTIG GEBRUIK.**

**U KUNT DEZE INSTRUCTIES OOK DOWNLOADEN OP <http://www.hozelock.com/customer-service/instruction-leaflets.html>.**

## Inhoud

**(Fig.1) Controleer vooraf aan de installatie of alle inhoud aanwezig is.**

- A. Beschermstuk voor kleine vissen
- B. Pomp
- C. Uitlaatadapter
- D. Kogelscharnier
- E. Slangkoppeling & moer
- F. Filterhuis
- G. Eindkap
- H. Debietregeling

20

## I. Handleiding

### Inleiding

Deze Hozelock Cyprio Aquaforce-pomp wordt elektrisch aangedreven en is ontworpen om vaste deeltjes tot een diameter van 10 mm te verpompen met minimaal onderhoud aan de voorzeef. Dit soort pompen is met name geschikt voor het verpompen van water naar externe filters, voor gebruik in watervallen met een hoog debiet of voor waterlooptoepassingen waarbij minimaal onderhoud belangrijk is. De pomp gebruikt geen olie of vet voor smering en kan veilig worden gebruikt in vijvers met vissen of planten. De motor bestaat uit een afgesloten stator en een watergekoelde rotor. Alle elektrische componenten zijn van het water geïsoleerd.

### LET OP AUTOMATISCHE AFSLAG

Teneinde een lange levensduur van uw pomp te garanderen en schade te voorkomen, is deze uitgerust met een automatische beveiliging tegen oververhitting. Deze schakelt de pomp uit als hij oververhit raakt. Wanneer dit gebeurt, dient u de stroomtoevoer naar de pomp uit te schakelen. Kijk wat de oorzaak is. Dit komt meestal doordat vuildeeltjes de inlaten van de pomp verstopten of het rotorblad blokkeren. Verwijder het obstakel en wacht tot de pomp is afgekoeld. Zet de pomp dan weer aan.

### Algemene Veiligheidsinstructies

1. Deze pomp is alleen ontworpen voor gebruik in vijvers. Gebruik deze pomp alleen voor het aandrijven van filtersystemen voor vijvers,

waterpartijen, watervallen, etc. Gebruik deze pomp niet voor andere dingen (m.a.w. gebruik deze pomp niet voor zwembaden, badkamers, CV-installaties, etc.). Gebruik van dit product voor andere toepassingen kan verwondingen of productschade tot gevolg hebben.

- 2. Belangrijk** - Dit apparaat mag uitsluitend worden gebruikt door of onder toezicht van een volwassen persoon die in staat is het apparaat veilig te gebruiken en die de risico's begrijpt. Dit apparaat moet buiten bereik van kinderen en personen met een verminderde fysieke, motorische en mentale bekwaamheden worden gebruikt en opgeslagen.
- 3. WAARSCHUWING:** Ontkoppel altijd alle apparaten in de vijver van het elektriciteitsnet voordat u uw handen in het water steekt om apparatuur te installeren, te repareren, te onderhouden of te behandelen. **Steek de stekkerzijde van de kabel nooit in water.**
4. Gebruik nooit de stroomkabel om de pomp op te tillen; dit kan schade veroorzaken. Wij adviseren om een ophaalkoord aan het handvat op de zeefkooi vast te maken als de pomp diep onder water wordt geïnstalleerd.
5. Gebruik de pomp niet bij vorst en laat deze ook niet in die condities achter.
6. Bescherm de pomp tegen direct zonlicht. Direct zonlicht kan de motor oververhitten.
7. Laat de pomp nooit droog lopen.
8. Gebruik deze pomp niet zonder dat de zeefkooi goed eraan vast zit. Als u de pomp zonder de zeefkooi gebruikt, kan uw garantie vervallen.
9. **LET OP:** Dit product is niet geschikt voor water warmer dan 35°C.
10. **LET OP:** Gebruik dit product niet als de stroomkabel of de motor op enigerlei wijze beschadigd is. De stroomkabel kan niet worden vervangen aangezien deze vast zit in de motorbehuizing en dient derhalve volgens plaatselijke regelgeving te worden verwijderd.
11. Als u in een gebied woont met hard water (water met een hoog gehalte calcium of kalk), dienen de pomp, de rotoreenheid en de binnenkant van de motor regelmatig te worden gereinigd (zie ONDERHOUD).
12. Gebruik alleen accessoires die zijn ontworpen voor gebruik met dit product. Als u andere accessoires gebruikt, kan uw garantie vervallen.
13. Deze pomp is niet geschikt voor gebruik met zout water of zeewater.
14. Raadpleeg voor de maximale totale opvoerhoogte van deze pompen de tabel aan het eind van deze instructies.

## Elektrische Aansluitingen

- 1. PAS OP:** Ontkoppel alle apparaten in de vijver

of schakel de stroomtoevoer uit voordat u met uw handen in het water gaat bij het installeren, herstellen, onderhouden of verplaatsen van apparatuur.

2. Controleer of het op het apparaat aangegeven voltage overeenkomt met de netstroom.
3. De pomp wordt geleverd met een 3-aderige stroomkabel van 10m die permanent en geseld is aangesloten op de motor.  
De stroomkabel kan niet worden vervangen. Als de kabel beschadigd is, dient de pomp te worden weggedaan.  
De met dit product meegeleverde stekker is niet waterdicht en dient te worden ondergebracht in een droge, waterdichte behuizing.
4. Er dient zich in de stroomtoevoer een aardlekschakelaar van 10 mA of 30 mA te bevinden.
5. De installatie dient te voldoen aan de Nationale en Plaatselijke bedradingsvoorschriften, die mogelijk het gebruik van kunststof of metalen pijpen kunnen bevatten om de kabel te beschermen.
6. **PAS OP:** Dit apparaat moet worden aangesloten op een geaard stopcontact.
7. De pompkabel (en verlengkabel) dient juist te worden geplaatst en voldoende tegen beschadiging te worden beschermd, vooral als deze in contact kan komen met tuingereedschap (grasmaaiers, vorken, etc.), kinderen en huisdieren.

## Installatie

**OPMERKING:** Bij amfibisch gebruik MOET de droog opgestelde pomp horizontaal staan, zoals afgebeeld. (Fig. 2 & 3)

## Montage & Installatie Pomp - Gebruik Onder Water

1. Open de klemmen aan beide kanten van de zeefkooi en open de kooi (Fig 1 – F).
2. Verwijder het beschermstuk voor kleine vissen (Fig. 1–A).
3. Verwijder & pak kogelscharnier, slangkoppelingen & debietregelaar uit (Fig 1 – D, E & H).
4. Verwijder de stroomkabel en rol deze af.
5. Controleer of de uitlaat van de pomp goed vastzit aan de uitlaatadapter (Fig 1 – C). Plaats de pomp op de montageplaats en zorg ervoor dat het uitlaatstuk in de ribben schuift vooraan het onderste deel van de kooi (Fig 4).  
**NB:** De adapter moet met de afvoer naar de onderkant van de kooi zijn gericht (Afb. 5).
6. Plaats de stroomkabel in de uitsparing aan de zijkant van de kooi. Zorg ervoor dat deze in de juiste positie zit, zodat de kabel niet vastklemt als

de kooi wordt dichtgemaakt. (Fig 6).

Breng het beschermstuk voor kleine vissen weer aan.

7. Sluit het deksel van de kooi en zorg ervoor dat de eindkap (Fig 1 – G) in de juiste positie zit. Zet het deksel vast door in het midden van de klemmen te drukken (Fig 7).
8. Controleer of de in- en uitlaatnokken van het kogelscharnier op één lijn liggen en draai de moer stevig op het schroefdraad van de uitlaatadapter (Fig 8).
9. Gebruik van slangen met kleine doorlaat leidt tot overmatige restrictie van de waterstroom. Hoe groter de diameter van de slang die u gebruikt, des te beter zullen de prestaties van de pomp zijn, vooral bij grotere slanglengtes. De slangkoppeling die met dit apparaat wordt meegeleverd is geschikt voor slangen van 25 mm (1"), 32 mm (1,25") en 40 mm (1,6"), alsmede een ¾" BSP-schroefdraad voor het bevestigen van fonteinaccessoires. Wij adviseren altijd om voor pompen van deze grootte de slang met een diameter van 40 mm te gebruiken als de pomp wordt gebruikt als waterpomp of in combinatie met een filter (Fig 2 & 3). Zodra u de slangdiameter die u wilt gebruiken heeft geselecteerd, dient u de stappen van de slangkoppeling af te snijden die kleiner zijn dan de slangdiameter om restrictie te voorkomen (Fig 9). Schuif een slang van geschikte lengte om de slangkoppeling, zet deze vast met een geschikte slangklem en plaats het uiteinde van de slang in de gewenste locatie.
10. Schroef de slangkoppeling direct op de uitlaatnok van het kogelscharnier (Fig 10). Het kogelscharnier kan worden gedraaid, zodat de slang bij de pomp vandaan kan worden gehouden.

## POSITIE

Locatie vijverpomp

11. Voor het beste resultaat dient de pomp in het diepste deel van de vijver te worden geplaatst. Dit zorgt voor de beste circulatie van water in de vijver en bij gebruik als filtratiepomp wordt de capaciteit om vaste deeltjes te transporteren gemaximaliseerd. Voor het beste resultaat dient de pomp niet direct op de bodem van de vijver te worden geplaatst. Wij adviseren om de pomp op een vlakke, horizontale verhoging te installeren die ongeveer 300 mm boven de bodem van de vijver uitsteekt. Dit voorkomt dat de pomp modder direct van de bodem van de vijver aanzuigt en zorgt er ook voor dat er voldoende water in de vijver blijft staan bij onbedoelde lekkage van vijverwater (zie fig 11). Gebruik nooit de stroomkabel om de pomp op te tillen; dit kan schade veroorzaken. Wij adviseren om een ophaalkoord aan het handvat op de zeefkooi vast te maken als de pomp diep onder

water wordt geïnstalleerd.

## Beschermstuk voor kleine vissen

12. Als u vissen of andere diersoorten in uw vijver hebt, kunnen deze in bepaalde perioden van het jaar broed aanzetten. Het jonge broed is op dat moment erg klein en kan de pomp in worden gezogen. Om dit risico te verkleinen zijn Aquaforce-pompen uitgerust met een uniek beschermstuk voor kleine visjes. De gaatjes in de inlaatzeef worden hiermee verkleind tot 2 mm op dit kritieke moment in de levenscyclus van de vis. Om deze functie te gebruiken plaatst u de vier poten van het beschermstuk in de bijpassende gedeelten in de onderste kooi zoals getoond in Afb 12. Zorg daarbij dat het beschermstuk correct in positie komt. Sluit de bovenkant van de kooi en zet de klemmen vast. Terwijl het beschermstuk in gebruik is, moet u de zeefkooi mogelijk vaker ontstoppen. Zodra de vis of andere diersoort voldoende is gegroeid kunt u het beschermstuk uit de pompkooi verwijderen en de maaswijdte van de zeef weer terugbrengen tot de maximale grootte van 10 mm.

## Gebruik van Debietregelaar

Met de debietregelaar (Fig 1 – H) kunt u de hoeveelheid water die de pomp binnengaat variëren. U kunt deze ook gebruiken om een tweede inlaat op de pomp aan te sluiten, zoals een satellietfilter of een afschuimer. Gebruik de debietregelaar niet als u de pomp amfibisch gebruikt.

1. Maak de kooi open en verwijder de eindkap (Fig 1 – G).
2. Sluit de debietregelaar door het buitenste deel te roteren tot de pijlen op één lijn liggen.
3. Schroef de debietregelaar stevig vast op de inlaat van de pomp, waarbij de pijlen op de debietregelaar op één lijn moeten liggen met de pijl bovenop de pompkamer (Fig 13).
4. Plaats de pomp in de kooi. Zorg ervoor dat de sleuven in de uitlaatadapter op één lijn liggen met de ribben in het onderste deel van de kooi en dat de handgreep van de debietregelaar zich aan de buitenkant van de kooi bevindt (Fig 14).
5. Voor gebruik als debietregelaar dient u de eindkap naar het vrije uiteinde van de debietregelaar te schroeven.
6. Draai de handgreep in de gewenste positie. Hiermee varieert u de opening van de debietregelaar. De pijl op de handgreep valt samen met de aanwijzer aan de buitenkant van de bovenkooi. Als de spitse kant van de pijl samenvalt met de aanwijzer aan de buitenkant van het filterhuis, geeft dit minimaal debiet aan. Als de wijde kant van de pijl samenvalt met de aanwijzer, geeft dit maximaal debiet aan (zie Fig 14).
7. Plaats de kabel in de uitsparing (zie punt 6 onder

Gebruik onder water), sluit het kooideksel en zet de klemmen vast.

8. Maak om een tweede inlaat te gebruiken een slang met de juiste lengte vast aan een slangkoppeling dat op de juiste diameter is afgesneden en schroef deze op het vrije uiteinde van de debietregelaar in plaats van de eindkap (Fig 15).
9. Het andere uiteinde van de slang kan worden vastgemaakt aan een satellietfilter (Fig 17) (als reserveonderdeel verkrijgbaar bij Hozelock) of aan een afschuimer (Fig 16).
10. Door de handgreep van de debietregelaar te draaien, kan de hoeveelheid water worden gevarieerd die door het satellietfilter of de afschuimer gaat.

## Pompinstallatie - amfibisch

Deze pomp kan amfibisch worden gebruikt (m.a.w. kan boven water worden gebruikt).

**WAARSCHUWING:** Zorg ervoor dat de pomp geen lucht aanzuigt of droogloopt, anders raakt uw pomp beschadigd!

**WAARSCHUWING:** Ontkoppel altijd alle apparaten in de vijver van het elektriciteitsnet voordat u uw handen in het water steekt om apparatuur te installeren, repareren, onderhouden of behandelen.

**NB:** Deze pomp activeert zichzelf niet. De aanzuigslang en pomp moeten voor het inschakelen met water worden gevuld.

1. Open de klemmen aan beide kanten van de zeefkooi, open de kooi en verwijder de volledige inhoud.
2. Schroef de uitlaatadapter van de pompuitlaat af en plaats deze op de ribben in het onderste deel van de kooi (Fig 18)
3. Plaats de pomp onder het wateroppervlak dichtbij de rand van de vijver, zodat er water in de pompkamer kan stromen (Pomp is niet zelfaanzuigend) (Fig 19).
4. Snij 2 slangkoppelingen af op de benodigde grootte (zie punt 9 onder Gebruik onder water). Zet een slang van de juiste lengte op elke slangkoppeling en zet deze vast met de juiste slangklemmen.
5. Dompel de inlaatslang onder het wateroppervlak en zorg ervoor dat de gehele slang opvult. Schroef de slangkoppeling aan de inlaat van de pomp en zorg voor een waterdichte verbinding met de meegeleverde sluitring (Fig 20).
6. Zet de uitlaatslang op de pompuitlaat door de slangkoppeling erop te schroeven. Gebruik de meegeleverde sluitring om voor een waterdichte verbinding te zorgen (Fig 21).
7. Controleer of de pompkamer en de slang vol met

water zijn en zet de pomp aan. De pomp kan nu uit het water worden gehaald en in de locatie voor amfibisch gebruik worden gezet, waarbij het inlaateinde van de slang onder water dient te blijven.

8. Verbind met een andere slangkoppeling de kooi met het inlaateinde van de inlaatslang om te voorkomen dat de pomp verstopt raakt.
9. Bij amfibisch gebruik van de pomp dient de pomp tegen direct zonlicht te worden beschermd. Direct zonlicht kan de motor oververhitten.
10. Het kogelscharnier is niet ontworpen voor gebruik boven water.

## Onderhoud

De Hozelock Cyprio-serie Aquaforce-pompen is ontworpen voor snel en eenvoudig onderhoud. Om de levensduur van uw pomp te verlengen en uw pomp in optimale conditie te houden, dient u deze onderhoudsrichtlijnen te volgen.

**Let op:** Ontkoppel of schakel altijd de stekkers van ALLE apparaten in de vijver uit voordat u met uw handen in het water gaat of met het onderhoud begint.

1. Als de pomp pas is geïnstalleerd, dient u dagelijks te controleren of de pomp correct functioneert.
2. Als u merkt dat de prestaties afnemen (laag debiet), dient u de zeefkooi schoon te maken. Schoonmaakintervallen kunnen verschillen, afhankelijk van de kwaliteit van het water in uw vijver. Dit kan soms wekelijks zijn tijdens de zomermaanden. Om de zeefkooi te reinigen dient u de klemmen te openen en de pomp te verwijderen. Vuildeeltjes die de gaten van de zeef verstoppen kunnen dan uit de kooi worden verwijderd en de kooi kan in schoon water worden gewassen. U dient ook te controleren of de pompkamer & rotor niet verstopt zijn met vuildeeltjes.
3. Tenminste eenmaal per jaar dient u de pomp inclusief de rotor zoals hieronder beschreven volledig te demonteren en alle componenten in schoon, vers water te wassen.  
Vervang alle versleten of kapotte onderdelen.

### Demonteren & monteren pomp (6000 & 8000) - Fig 22 & 24

1. Zet de pomp uit, verwijder de zeefkooi zoals hierboven beschreven en verwijder de pomp.
2. Controleer of de pomp is afgekoeld voordat u deze demonteert.
3. Draai de 4 Pozidrive-schroeven (a) los uit de kamer.
4. Trek de pompkamer (b) voorzichtig en recht uit het motorhuis (e).
5. Trek de rotorgroep (c) uit het motorhuis.  
Belangrijk! Let goed op en zorg dat de rotor niet valt.

6. Reinig alle componenten in schoon water. Gebruik geen wasmiddel of andere chemische schoonmaakmiddelen.
7. Controleer of de O-ring (d) in zijn groef ligt (Afb. 24a en 24b).
8. Plaats de rotorgroep terug in het motorhuis; let daarbij op dat de pennen van het motorhuis (Afb. 24c en 24d) in de gaten in de plaat achter de rotor komen te vallen.
9. Breng de pompkamer weer aan. Draai de pompkamer om de schroefgaten in lijn te brengen en bevestig de schroeven opnieuw. Let op en zorg dat de moeren in het motorhuis (Afb. 24e) niet naar buiten worden gedrukt.
10. Breng de pomp weer aan op de zeefkooi.

### **Demonteren & monteren pomp (12000 & 15000) - Fig 23 & 25**

1. Zet de pomp uit, verwijder de zeefkooi zoals hierboven beschreven en verwijder de pomp.
2. Controleer of de pomp is afgekoeld voordat u deze demonteert.
3. Draai de 4 Pozidrive-schroeven (a) los uit de kamer.
4. Draai de pompkamer (b) en trek deze recht uit het motorhuis (e).
5. Trek de rotorgroep (c) uit het motorhuis.

**Belangrijk! Let goed op en zorg dat de rotor niet valt.**

6. Reinig alle componenten in schoon water. Gebruik geen wasmiddel of andere chemische schoonmaakmiddelen.
7. Plaats de rotorgroep terug in het motorhuis (Afb. 25a). Let daarbij op dat de pennen van het motorhuis (Afb. 25b) in de gaten in de plaat achter de rotor komen te vallen.
8. Denk eraan dat de groef voor de O-ring wordt gevormd zodra de rotor correct is geplaatst (Afb. 25c). Breng de O-ring (d) aan over de rotor. Controleer of de O-ring correct is geplaatst tussen de rotorplaat en het motorhuis (Afb. 25d).
9. Breng de pompkamer weer aan. Draai de pompkamer om de schroefgaten in lijn te brengen en bevestig de schroeven opnieuw. Let op en zorg dat de moeren in het motorhuis (Afb. 25e) niet naar buiten worden gedrukt.
10. Breng de pomp weer aan op de zeefkooi.

### **Zorg Tijdens de Winter**

1. U dient uw pomp tijdens de herfst uit uw vijver te verwijderen.
2. Maak de pomp zoals boven beschreven schoon.
3. Tijdens de winter adviseren wij om de pomp in een emmer water te bewaren. Dit is om te voorkomen dat de lagers uitdrogen en mogelijk vastlopen. Dit

is vooral van belang als u de pomp in een gebied met hard water heeft gebruikt. De emmer water met de pomp dient te worden opgeslagen in een vorstvrije ruimte.

### **Opsporen van Storingen/ Oplossen van Fouten**

**Belangrijk – Bewaar dit gedeelte voor referentie.**

#### **LAGE STROMING UIT POMP**

1. Zorg ervoor dat de zeefkooi schoon is.
2. Een uitlaatpijp met een kleine diameter zal het uitlaatdebiet verkleinen.
3. Zorg ervoor dat er geen verstoppingen zijn in de pompkamer.
4. Als de pomp tevens op land wordt gebruikt, zorg er dan voor dat het kogelscharnier niet gebruikt wordt en dat de meegeleverde ringen worden gebruikt bij het aansluiten van de slangkoppelingen op de pompen.

#### **GEEN STROMING UIT POMP**

1. Controleer of de stroom is ingeschakeld.
2. Controleer de zekering, aardlekschakelaar en bedrading.
3. Controleer of de rotor niet vast zit, verstopt is, beschadigd is of tekenen vertoont van overmatige slijtage.
4. Zorg ervoor dat de zeefkooi schoon is.
5. De thermische beveiliging is geactiveerd. (zie INLEIDING).

### **3+2 -Jarige Garantie op Hozelock Cyprio**

Als deze pomp, exclusief de rotoeenheid, binnen 3 jaar na de aankoopdatum onbruikbaar wordt, zal deze gratis worden gerepareerd of vervangen (door ons te bepalen), tenzij de pomp volgens ons is beschadigd of verkeerd is gebruikt. Om deze 3-jarige garantie te verlengen naar 5 jaar dient u zich te registreren op <http://register.hozelock.com>.

Wij accepteren geen aansprakelijkheid voor schade vanwege ongelukken, onjuiste installatie of onjuist gebruik. Onze aansprakelijkheid beperkt zich tot het vervangen van een kapotte pomp.

Deze garantie is niet overdraagbaar. Het heeft geen gevolgen voor uw wettelijke rechten. Om te profiteren van de garantie, dient u eerst contact op te nemen met de Hozelock Cyprio Klantenservice. Die kan u verzoeken om de pomp met aankoopbewijs direct op te sturen naar onderstaand adres.

**[www.hozelock.com](http://www.hozelock.com)**



## Prestaties\*

Aquaforce	1000	2500	4000	6000	8000	12000	15000
Verkoopbaar onderdeelnummer	1580	1581	1582	1583A	1584A	1585A	1586A
Volt (V)	230V 50Hz	230V 50Hz	230V 50Hz	230V 50Hz	230V 50Hz	230V 50Hz	230V 50Hz
Vermogen (w)	25	30	50	65	95	130	180
Max debiet, QMax, (l/uur)	1000	2500	4000	6000	8000	12000	15000
Max drukhoogte, HMax, (m)	1.5	2.1	2.5	3.5	4.0	5.0	5.7
IP-klasse	IPX8	IPX8	IPX8	IPX8	IPX8	IPX8	IPX8
Max diepte voor onderwatergebruik, (m)	2.5	2.5	2.5	2.5	2.5	2.5	2.5
Max watertemperatuur TMax, (°C)	35°C	35°C	35°C	35°C	35°C	35°C	35°C
Amfibisch gebruik	✗	✗	✗	✓	✓	✓	✓

\*Gemeten bij gecontroleerde omstandigheden

**I** Grazie per aver acquistato un prodotto di qualità Hozelock, che offre un funzionamento in tutta sicurezza per molti anni.



**QUESTO APPARECCHIO È DEDICATO AL SOLO UTILIZZO DOMESTICO. PRIMA DI PROCEDERE CON**

**L'INSTALLAZIONE, LEGGERE LE PRESENTI ISTRUZIONI.**

**LA MANCATA OSSERVANZA DI QUANTO INDICATO PUÒ COMPORTARE IL RISCHIO DI INFORTUNI, DANNI AL PRODOTTO O PERDITA DI PESCE. CONSERVARE LE PRESENTI ISTRUZIONI PER LE FUTURE CONSULTAZIONI.**

**LE ISTRUZIONI SONO DISPONIBILI ANCHE ALL'INDIRIZZO <http://www.hozelock.com/customer-service/instruction-leaflets.html>.**

## Contenuto

(Fig.1) Prima dell'installazione, verificare la presenza di tutti i componenti.

- A. Piccolo inserto di protezione pesci
- B. Pompa
- C. Adattatore uscita
- D. Raccordo sferico
- E. Raccordo e dado
- F. Gabbietta filtro
- G. Tappo terminale
- H. Controllo della portata
- I. Manuale di istruzioni

## Introduzione

Questa pompa Cyprio Aquaforce Hozelock viene azionata elettricamente e consente il pompaggio di particelle solide di diametro fino a 10 mm, con necessità minima di manutenzione del prefiltro. Questi tipi di pompe sono ideati per il pompaggio dell'acqua in filtri esterni o per l'utilizzo in cascate o applicazioni con corsi d'acqua ad alta portata, in cui è importante una manutenzione ridotta. La pompa non utilizza olio o grasso di lubrificazione. Pertanto, è possibile utilizzarla in sicurezza in laghetti contenenti pesci o piante. Il motore è composto da uno statore sigillato e da un rotore raffreddato ad acqua. Tutti i componenti elettrici sono a tenuta stagna all'acqua.

### ATTENZIONE DISPOSITIVO D'INTERUZIONE AUTOMATICA

Per assicurare una durata ottimale della pompa e per prevenire possibili danni, la pompa è dotata di un sistema di protezione automatico contro il sovraccarico, che disattiva la pompa in caso di surriscaldamento della stessa. Se ciò dovesse avvenire, scollegare la pompa dall'alimentazione elettrica e verificare la possibile causa. In genere, il disinnesto è causato dall'accumulo di detriti che bloccano l'entrata della pompa o che ostruiscono il girante. Rimuovere l'ostruzione e attendere che la pompa si raffreddi. Riavviare la pompa.

## Linee Guida Sulla Sicurezza

1. Questa pompa deve essere utilizzata solo nei laghetti. Utilizzare questa pompa solo per l'azionamento di sistemi di filtraggio per laghetti,

giochi d'acqua, cascate, ecc. Non utilizzare questa pompa per altri scopi (per esempio, in piscine, bagni, impianti di riscaldamento centralizzati, ecc.). L'uso del prodotto per altri scopi può risultare in lesioni personali o danni al prodotto.

- Importante:** questo apparecchio deve essere usato solo da un adulto responsabile in grado di utilizzarlo in modo sicuro e di comprendere i rischi a esso correlati. Utilizzare e conservare l'apparecchio al di fuori della portata di bambini e persone con ridotte capacità fisiche, sensoriali o mentali.
- AVVERTENZA:** prima di immergere le mani nell'acqua per l'installazione, la riparazione, la manutenzione o la movimentazione del prodotto, estrarre sempre la spina o disattivare l'alimentazione elettrica di tutti gli apparecchi del laghetto. **Non immergere mai l'estremità a spina del cavo in acqua.**
- Non utilizzare il cavo di alimentazione per sollevare la pompa, in quanto si potrebbe danneggiarla. Se la pompa viene installata in acque profonde, consigliamo di usare una fune di sollevamento, fissata alla maniglia sulla gabbietta del filtro.
- Non azionare la pompa in caso di gelo e non lasciarla esposta a temperature rigide.
- Riparare dalla luce diretta del sole. La luce diretta del sole potrebbe causare il surriscaldamento del motore.
- Non azionare la pompa in assenza di acqua.
- Non azionare la pompa senza la gabbietta del filtro. L'utilizzo della pompa priva di filtro potrebbe invalidare la garanzia.
- ATTENZIONE:** questo prodotto non è adatto per temperature dell'acqua superiori ai 35°C.
- ATTENZIONE:** non azionare il prodotto se il cavo dell'alimentazione elettrica o il motore sono danneggiati. Il cavo dell'alimentazione non può essere sostituito, in quanto è racchiuso nell'alloggiamento del motore, e deve essere quindi smaltito secondo le normative locali.
- In caso di acqua dura (ad alto contenuto di calcio o calcare), la pompa, il complessivo rotore e l'interno del motore devono essere puliti a intervalli regolari (vedere MANUTENZIONE).
- Utilizzare solo accessori prodotti per l'uso con questo apparecchio. L'uso di altri accessori potrebbe invalidare la garanzia.
- Questa pompa non è adatta all'utilizzo con acqua salata o di mare.
- Per la testata massima totale di queste pompe, fare riferimento alla tabella riportata al termine delle presenti istruzioni.

## Collegamenti Elettrici

- ATTENZIONE:** staccare sempre la spina o scollegare dalla rete elettrica tutte le

apparecchiature nel laghetto prima di immergere le mani nell'acqua durante l'installazione, la riparazione, il maneggio o la manutenzione delle stesse.

- Verificare che la tensione riportata sull'unità corrisponda a quella dell'alimentazione elettrica.
- La pompa è fornita con un cavo elettrico a tre conduttori di 10 m, permanentemente collegato e sigillato al motore.

Il cavo di alimentazione elettrico non può essere sostituito. In caso di danni al cavo, bisognerà sostituire l'intera pompa.

La spina in dotazione con questo prodotto non è impermeabile e deve essere posizionata in un alloggiamento asciutto e a prova di intemperie.

- Un dispositivo di corrente residua da 10 mA o 30 mA deve essere collegato alla rete elettrica.
- L'installazione deve essere conforme alle normative elettriche locali e nazionali, che possono prevedere l'uso di tubi di plastica o di metallo a protezione del cavo.
- ATTENZIONE:** Questo apparecchio deve essere collegato a un'alimentazione elettrica messa a terra.
- Il cavo della pompa (e il cavo della prolunga) deve essere posizionato e protetto in modo adeguato contro danni, soprattutto laddove potrebbe venire in contatto con attrezzature da giardino (tosatrici, forconi, ecc.), bambini o animali domestici.

## Installazione

**NOTA:** quando si utilizza la pompa in maniera anfibia, posizionare la pompa in un alloggiamento in orizzontale, come indicato in figura.

(Fig. 2 & 3)

## Assemblaggio e installazione della pompa - funzionamento sommerso

- Aprire le clip sui lati della gabbietta del filtro e aprire la gabbietta (Fig. 1 – F).
- Rimuovere il piccolo inserto di protezione pesci (figura 1–A).
- Rimuovere e disimballare il giunto sferico, il raccordo e il controllo della portata (Fig. 1–D, E & H).
- Rimuovere il cavo dell'alimentazione elettrica e svolgerlo.
- Assicurarsi che l'uscita della pompa sia fissato all'adattatore dell'uscita (Fig. 1 – C). Posizionare la pompa sull'area di montaggio, assicurandosi che l'adattatore riposi sulle "costole" d'innesto nella parte anteriore della gabbietta inferiore (Fig. 4).  
**Nota:** Orientare l'adattatore con l'uscita nella parte inferiore della gabbietta (Fig. 5).

6. Inserire il cavo dell'alimentazione nella rientranza sul lato della gabbietta. Assicurarsi che sia inserito nella posizione corretta e che non rimanga intrappolato quando si chiude la gabbietta. (Fig. 6). Reinserire il piccolo inserto di protezione pesci.
7. Assicurandosi che il coperchio terminale (Fig. 1 – G) sia nella posizione corretta, chiudere il coperchio della gabbietta esercitando pressione sul centro delle clip (Fig. 7).
8. Controllando che le borchie dell'ingresso e dell'uscita del giunto sferico siano allineate, avvitare il dado sulla filettatura dell'adattatore dell'uscita (Fig. 8).
9. Flessibili di diametro ridotto limitano eccessivamente il flusso di portata dell'acqua. Maggiore è il diametro del flessibile utilizzato migliori saranno le prestazioni della pompa, soprattutto se si usano flessibili molto lunghi. Il raccordo per il flessibile fornito con questa unità è idoneo per tubi di 25 mm, 32 mm e 40mm di diametro, oltre a filettature da ¾" BSP per il montaggio di accessori da fontana. Per pompe di queste dimensioni, raccomandiamo sempre di utilizzare un flessibile di 40 mm di diametro se si la pompa viene usata per una cascata o in combinazione con un filtro (Figg. 2 e 3). Una volta selezionato il diametro desiderato, rimuovere le sezioni del raccordo più piccole, per evitare restrizioni al flusso di portata (Fig. 9). Attaccare un flessibile di lunghezza adeguata al raccordo e assicurarlo con una clip. Disporre la parte terminale del flessibile nella posizione desiderata.
10. Avvitare il raccordo direttamente sulla borchia d'uscita del raccordo sferico (Fig. 10). Il raccordo sferico può essere ruotato per posizionare il tubo nella direzione desiderata.

#### **Posizionamento della pompa nel laghetto**

11. Per un risultato ottimale, la pompa va posizionata nel punto più profondo del laghetto. In questo modo si assicurerà un'efficiente circolazione dell'acqua nel laghetto e, se utilizzata come pompa di filtraggio, le sue capacità di gestione dei solidi saranno massimizzate.

Per un risultato ottimale, la pompa va posizionata direttamente sul fondo del laghetto. Raccomandiamo di installare la pompa su una piattaforma piana e orizzontale, a circa 30 cm dal fondo del laghetto. In questo modo si impedirà che la pompa risucchi detriti dal fondo del laghetto e si assicurerà che una quantità sufficiente di acqua rimanga nel laghetto nel caso di una perdita accidentale di acqua dal laghetto stesso (vedere Fig. 11).

Non utilizzare il cavo di alimentazione per sollevare la pompa, in quanto si potrebbe danneggiarla. Se la pompa viene installata in acque profonde, consigliamo di usare una fune di sollevamento,

fissata alla maniglia sulla gabbietta del filtro.

#### **Piccolo inserto di protezione pesci**

12. Se il laghetto contiene pesci o altra fauna selvatica, in alcuni periodi dell'anno questi esseri potrebbero riprodursi. In questi periodi, il pesce è caratterizzato da dimensioni molto contenute e può essere risucchiato nella pompa. Per ridurre questo rischio, la gamma di pompe Aquaforce prevede un piccolo inserto esclusivo di protezione pesci che, in questo periodo del ciclo di vita dei pesci, riduce la dimensione del foro interno del filtro a rete a 2 mm. Per utilizzare questa funzione, posizionare le quattro staffe dell'inserto nell'area corrispondente della gabbietta inferiore, come indicato nella figura 12, verificando che l'inserto si trovi in posizione appropriata. Chiudere la parte superiore della gabbietta e fissare i ganci. Durante l'utilizzo dell'inserto, potrebbe essere necessario sbloccare la gabbietta del filtro a rete con maggiore frequenza. Quando il pesce o l'altra fauna selvatica avrà raggiunto una dimensione sufficiente, sarà possibile rimuovere l'inserto dalla gabbietta delle pompe e ripristinare la dimensione del filtro a rete al valore massimo di 10 mm.

### **Utilizzo del Controllo della Portata**

Il controllo della portata (Fig. 1 - H) può variare la quantità d'acqua in ingresso nella pompa. In alternativa, può essere usato per collegare un secondo ingresso alla pompa, come un filtro satellite o uno scrematore. Non usare il controllo della portata se la pompa è utilizzata anfibiamente.

1. Aprire la gabbietta e rimuovere il tappo terminale (Fig. 1 - G).
2. Chiudere il controllo della portata ruotando la parte esterna fino a quando le frecce non sono allineate.
3. Avvitare il controllo della portata sull'ingresso della pompa allineando le frecce sul controllo della portata, con la freccia al centro della parte superiore della camera della pompa (Fig. 13).
4. Inserire la pompa della gabbia. Assicurarsi che le fessure sull'adattatore dell'uscita si allineino con le "costole" nella gabbia inferiore e che l'impugnatura del controllo della portata sia all'esterno della gabbia (Fig. 14).
5. Per utilizzare il controllo della portata, svitare il coperchio terminale sull'estremità libera del controllo della portata.
6. Ruotare l'impugnatura nella posizione desiderata. In questo modo si modificheranno le dimensioni dell'apertura sul controllo della portata. La freccia sull'impugnatura si allinea con l'indicatore sull'esterno della gabbietta superiore. La portata minima è prodotta quando la punta della freccia è allineata con l'indicatore sull'esterno della

gabbietta del filtro. La portata massima è prodotta quando l'estremità larga della freccia è allineata con l'indicatore (Fig. 14).

- Inserire il cavo nella rientranza (vedere punto 6 in "funzionamento sommerso"), chiudere la gabbia e quindi le clip.
- Per utilizzare un secondo ingresso, collegare un pezzo di flessibile a un raccordo tagliato conformemente al diametro del flessibile e avvitare sull'estremità libera del controllo della portata al posto del coperchio terminale (Fig. 15).
- L'altra estremità del flessibile può essere collegato a un filtro satellite (Fig. 17) (disponibile come parte di ricambio da Hozelock) o a uno scrematore (Fig. 16).
- Ruotando l'impugnatura del controllo della portata, è possibile variare la quantità d'acqua che attraversa il filtro satellite o lo scrematore.

## Installazione della pompa - Anfibia

Questa pompa può essere utilizzata in modo anfibia (cioè può essere usata anche quando non è sommersa).

**ATTENZIONE!** Assicurarsi che l'unità non aspiri aria o sia completamente priva d'acqua, in quanto potrebbe subire notevoli danni.

**ATTENZIONE!** Prima di immergere le mani nell'acqua per l'installazione, la riparazione, la manutenzione o la movimentazione del prodotto, estrarre sempre la spina o disattivare l'alimentazione elettrica di tutti gli apparecchi del laghetto.

**NOTA:** questa pompa non è del tipo autoadescante. Il tubo di aspirazione e la pompa devono essere riempiti d'acqua prima dell'azionamento.

- Aprire le clip sui lati della gabbietta del filtro, aprire la gabbietta e rimuoverne il contenuto.
- Svitare l'adattatore dell'uscita dall'uscita della pompa e posizionarlo nelle "costole" della gabbietta inferiore (Fig. 18).
- Posizionare la pompa sotto la superficie dell'acqua, vicino alla riva del laghetto, per consentire all'acqua di fluire nella camera di pompaggio (Fig. 19).
- Tagliare due raccordi delle dimensioni richieste (vedere punto 9 in "funzionamento sommerso"). Collegare un pezzo di flessibile di lunghezza idonea a ciascun raccordo e fissarlo con una clip.
- Immergere il flessibile d'ingresso nell'acqua, assicurandosi che si riempia completamente d'acqua. Avvitare il raccordo sull'ingresso della pompa assicurando una tenuta stagna con la rondella in dotazione (Fig. 20).
- Collegare il flessibile d'uscita alla pompa avvitandolo al raccordo. Assicurare una tenuta stagna utilizzando la rondella in dotazione (Fig.

21).

- Controllare che la camera della pompa e il flessibile siano pieni d'acqua e accendere la pompa. La pompa può ora essere rimossa dall'acqua e posizionata nella sua sede anfibia, assicurandosi che l'estremità d'ingresso del flessibile rimanga sommersa.
- Per prevenire l'intasamento della pompa, collegare la gabbia all'estremità d'ingresso del flessibile utilizzando un altro raccordo.
- Quando si usa la pompa anfibiamente, proteggerla dai raggi diretti del sole. La luce diretta del sole potrebbe causare il surriscaldamento del motore.
- Il giunto a sfera non è stato progettato per l'uso fuori dall'acqua.

## Manutenzione

La gamma di pompe Aquaforce Hozelock Cyprio è stata ideata per consentire una manutenzione rapida e facile. Per prolungare la vita in servizio della pompa e mantenerla nelle migliori condizioni possibili, attenersi a queste linee guida.

Attenzione: staccare la spina o scollegare TUTTE le apparecchiature nel laghetto prima di immergere le mani nell'acqua o eseguire la manutenzione.

- Se la pompa è stata installata da poco, controllarne il funzionamento quotidianamente.
- Se si nota una caduta nelle prestazioni (portata ridotta), pulire la gabbietta del filtro. Gli intervalli di pulizia dipenderanno dalle condizioni dell'acqua del laghetto. Nei mesi estivi, ciò potrebbe essere anche settimanalmente. Per pulire la gabbietta, aprire le clip e rimuovere la pompa. I detriti che ostruiscono i fori del filtro possono ora essere rimossi. Lavare il complessivo in acqua pulita. Controllare inoltre che la camera e il rotore della pompa non siano ostruiti.
- Una volta all'anno, smontare completamente la pompa, incluso il gruppo rotore, come spiegato di seguito, e sciacquare tutti i componenti in acqua pulita. Sostituire le parti usurate o danneggiate.

### Smontaggio e assemblaggio della pompa (6000 e 8000) - Fig 22 e 24

- Disattivare la pompa e rimuovere la gabbietta del filtro a rete, procedendo come descritto, quindi rimuovere la pompa.
- Prima di smontare la pompa, accertarsi che sia raffreddata.
- Allentare le 4 viti posidrive (a) dalla camera.
- Rimuovere delicatamente la camera della pompa (b) in direzione perpendicolare rispetto al corpo motore (e).
- Estrarre il gruppo rotore (c) dal corpo motore. Importante. Non far cadere il gruppo rotore.
- Lavare tutti i componenti in acqua pulita. Non utilizzare detersivi o altre sostanze chimiche.
- Verificare che l'o-ring (d) si trovi nella relativa

scanalatura (figure 24a e 24b).

8. Riposizionare il gruppo rotore nel corpo motore, verificando che i fori della piastra dietro la girante si trovino in corrispondenza dei perni del corpo motore (figure 24c e 24d).
9. Reinstallare la camera della pompa. Rotare la camera per allineare i fori delle viti e reinserire le viti evitando la fuoriuscita dei dadi del corpo motore (figura 24e).
10. Riposizionare la pompa nella gabbietta del filtro.

#### **Smontaggio e assemblaggio della pompa (12000 e 15000) - Fig 23 e 25**

1. Disattivare la pompa e rimuovere la gabbietta del filtro a rete, procedendo come descritto, quindi rimuovere la pompa.
2. Prima di smontare la pompa, accertarsi che sia raffreddata.
3. Allentare le 4 viti posidrive (a) dalla camera.
4. Ruotare e rimuovere delicatamente la camera della pompa (b) in direzione perpendicolare rispetto al corpo motore (e).
5. Estrarre il gruppo rotore (c) dal corpo motore. **Importante.** Non far cadere il gruppo rotore.
6. Lavare tutti i componenti in acqua pulita. Non utilizzare detersivi o altre sostanze chimiche.
7. Riposizionare il gruppo rotore nel corpo motore (figura 25a), verificando che i fori della piastra dietro la girante si trovino in corrispondenza dei perni del corpo motore (figura 25b).
8. Nota: la scanalatura dell'o-ring si forma se il rotore viene posizionato in modo corretto (figura 25c). Inserire l'o-ring (d) sopra il rotore. Verificare che l'o-ring si trovi nella posizione corretta fra la piastra del rotore e il corpo motore (figura 25d).
9. Reinstallare la camera della pompa. Ruotare la camera per allineare i fori delle viti e reinserire le viti evitando la fuoriuscita dei dadi del corpo motore (figura 25e).
10. Riposizionare la pompa nella gabbietta del filtro.

### **Manutenzione Invernale**

1. La pompa va rimossa dal laghetto nei mesi autunnali.
2. Pulire la pompa, come descritto sopra.
3. In inverno, raccomandiamo di riporre la pompa in un secchio d'acqua per prevenire che i cuscinetti si asciughino completamente e gruppino. Ciò è particolarmente importante se la pompa è stata utilizzata in un'area dall'acqua dura. Il secchio d'acqua contenente la pompa va immagazzinato in un ambiente non soggetto a gelate.

### **Ricerca Guasti/Risoluzione dei Problemi**

**Importante – conservare questa sezione per**

#### **eventuali consultazioni future.**

#### **PORTATA RIDOTTA DALLA POMPA**

1. Controllare che la gabbietta del filtro sia pulita.
2. Un flessibile di diametro ridotto impedirà il normale flusso di uscita dalla pompa.
3. Assicurarsi che la camera della pompa non sia ostruita.
4. Se si utilizza la pompa anfibiamente, assicurarsi che il giunto sferico non sia usato e controllare che le rondelle in dotazione vengano utilizzate quando si monta il raccordo sulla pompa.

#### **PORTATA ASSENTE DALLA POMPA**

1. Controllare che la pompa sia collegata alla rete elettrica.
2. Controllare il fusibile, l'interruttore differenziale e le connessioni elettriche.
3. Controllare che il gruppo rotore non si sia inceppato, bloccato, danneggiato o eccessivamente usurato.
4. Controllare che la gabbietta del filtro sia pulita.
5. Attivazione della protezione termica (vedere INTRODUZIONE).

### **Garanzia 3+2 Hozelock Cyprio**

Se la pompa, gruppo rotore escluso, dovesse diventare inutilizzabile entro 3 anni dalla data dell'acquisto, sarà riparata o sostituita a nostra scelta, gratuitamente, sempre che, a nostro parere, l'unità non sia stata danneggiata o utilizzata in modo improprio. Per estendere la garanzia triennale a 5 anni, basta registrarsi presso <http://register.hozelock.com>.

Non si accettano responsabilità per danni causati da incidenti, installazione o uso impropri. La responsabilità è limitata alla sostituzione di una pompa difettosa.

Questa garanzia non è trasferibile e non incide sui diritti statutari del consumatore. Per beneficiare di questa garanzia, contattare il servizio consumatori di Hozelock Cyprio, che potrà richiedere la spedizione della pompa, con prova di acquisto, direttamente all'indirizzo qui sotto.

[www.hozelock.com](http://www.hozelock.com)

## Prestazioni\*

Aquaforce	1000	2500	4000	6000	8000	12000	15000
Numero parte vendibile	1580	1581	1582	1583A	1584A	1585A	1586A
Volt (V)	230V 50Hz	230V 50Hz	230V 50Hz	230V 50Hz	230V 50Hz	230V 50Hz	230V 50Hz
Potenza (W)	25	30	50	65	95	130	180
Portata massima, QMax, (l/hr)	1000	2500	4000	6000	8000	12000	15000
Prevalenza massima, HMax, (m)	1.5	2.1	2.5	3.5	4.0	5.0	5.7
Rating IP	IPX8	IPX8	IPX8	IPX8	IPX8	IPX8	IPX8
Profondità massima immersione, (m)	2.5	2.5	2.5	2.5	2.5	2.5	2.5
Temperatura acqua massima Tmax (°C)	35°C	35°C	35°C	35°C	35°C	35°C	35°C
Uso anfibio	✗	✗	✗	✓	✓	✓	✓

\*Misurato in condizioni controllate

**E** Gracias por elegir la calidad de Hozelock. Este producto le asegura muchos años de funcionamiento fiable.



**ESTE EQUIPO ESTÁ PREPARADO ÚNICAMENTE PARA USO DOMÉSTICO. LEA ATENTAMENTE ESTAS INSTRUCCIONES ANTES DE INICIAR LA INSTALACIÓN.**

**EL INCUMPLIMIENTO DE LOS AVISOS QUE SE DETALLAN A CONTINUACIÓN PODRÍA PROVOCAR LESIONES, DAÑOS EN EL PRODUCTO O LA PÉRDIDA DE PECES.**

**CONSERVE ESTAS INSTRUCCIONES PARA FUTURAS CONSULTAS.**

**LAS INSTRUCCIONES TAMBIÉN SE PUEDEN DESCARGAR DESDE <http://www.hozelock.com/customer-service/instruction-leaflets.html>.**

### Contenido

**(Fig.1) Antes de realizar la instalación, compruebe que no falta ninguna pieza.**

- A. Protector de peces pequeños
- B. Bomba
- C. Adaptador de salida
- D. Articulación de rótula
- E. Acoplamiento de extremo de manguera y tuerca
- F. Jaula del filtro
- G. Tapón del extremo
- H. Control de flujo
- I. Manual de instrucciones

## Introducción

La bomba de agua Hozelock Cyprio Aquaforce es un aparato eléctrico que está diseñado para bombear partículas sólidas de hasta 10 mm de diámetro con un mínimo mantenimiento del dispositivo de prefiltrado. Este tipo de bomba es especialmente adecuada para bombear agua a filtros externos o para su uso en cascadas caudalosas o en trabajos con un elevado caudal de agua en los que un bajo nivel de mantenimiento sea un factor importante. La bomba no necesita aceite ni grasa para su lubricación y se puede utilizar de forma segura en estanques en los que haya peces o plantas. El motor se compone de un estator sellado y de un rotor refrigerado por agua. Ningún componente eléctrico queda en contacto con el agua.

### AVISO IMPORTANTE DESCONEXIÓN AUTOMÁTICA

Para dar garantía de que la bomba tendrá larga vida útil, evitando que se dañe, viene con un sistema incorporado de protección contra sobrecarga térmica, que apaga la bomba en caso que ésta se recalentara. Si esto sucediera, debe desconectar la electricidad en la fuente de energía de la red que va a la bomba, y verificar la causa. Esta situación suele producirse a consecuencia de la existencia de desechos que estorban las entradas de la bomba o el impulsor. Saque la obstrucción, y espere para que la bomba se enfríe. Luego se puede conectar la bomba nuevamente.

## Directrices Generales de Seguridad

1. Esta bomba ha sido diseñada para ser usada en

- estanques solamente. Debe usarse únicamente para operar sistemas de filtración de estanques, adornos acuáticos, cascadas de agua etc. No debe usarse para otro fin. (es decir, no usar esta bomba en piscinas, cuartos de baño, sistemas de calefacción central etc.) Si el producto se usara para otra aplicación, puede producir lesiones o dañar el producto.
2. **Importante:** este aparato sólo debe utilizarlo un adulto responsable que sea capaz de manipularlo de forma segura y comprenda los peligros asociados. Utilice y guarde este aparato lejos del alcance de los niños y de personas con alguna discapacidad física, sensorial o mental.
  3. **ADVERTENCIA:** desconecte o desenchufe siempre todos los dispositivos del estanque que estén conectados a la toma de corriente antes de introducir las manos en el agua durante la instalación, la reparación, el mantenimiento o la manipulación del equipo. **No sumerja el extremo conectado del cable en el agua.**
  4. No se debe usar el cable eléctrico para levantar la bomba, porque se puede dañar. Para poder levantar la bomba cuando está en agua profunda, recomendamos instalar una cuerda en la jaula del filtro.
  5. No se debe hacer funcionar la bomba durante las heladas, ni dejarla en un lugar expuesta a las mismas.
  6. Se debe proteger la bomba de la luz solar directa, que puede sobrecalentar el motor.
  7. Nunca hay que dejar que la bomba funcione en seco.
  8. No haga funcionar esta bomba sin instalar antes la jaula del filtro. Puede quedar sin vigencia su garantía si usa la bomba sin la jaula del filtro.
  9. **AVISO IMPORTANTE:** Este producto no es apropiado para usar en agua cuya temperatura supere los 35° C.
  10. **AVISO IMPORTANTE:** No se debe hacer funcionar este producto si se dañara el motor o el cable que lleva la electricidad de la red a la bomba. El cable eléctrico no puede cambiarse porque viene encerrado en forma permanente en la carcasa del motor, y por lo tanto debe desecharse de acuerdo a los reglamentos de la autoridad local.
  11. Si Ud. reside en una zona de agua dura (agua con un elevado contenido de calcio o de cal), se debe limpiar regularmente la bomba, en conjunto del rotor y la parte interior del motor. (Ver MANTENIMIENTO).
  12. Debe usar únicamente aquellos accesorios que hayan sido diseñados para uso con este producto. Se puede invalidar su garantía si se usan otros accesorios.
  13. Esta bomba no es adecuada para su uso en agua salada o de mar.

14. Para saber cuál es la presión máxima de esta bomba, consulte la tabla que se encuentra al final de las instrucciones.

## Conexiones Eléctricas

1. **ADVERTENCIA:** Antes de introducir las manos en el agua durante la instalación, reparación, mantenimiento o manipulación del equipo, siempre hay que desenchufar o desconectar de la fuente de energía todos los aparatos que se encuentren en el estanque.
2. Se debe comprobar que el voltaje que se señala en la bomba corresponda al voltaje del suministro de la red.
3. La bomba viene con un cable eléctrico de 3 almas, con una longitud de 10 m, que viene sellado y conectado en forma permanente con el motor. No se puede cambiar el cable eléctrico. En caso de que el cable se dañara, habría que desechar la bomba.  
El enchufe que viene con este producto no es impermeable, y se debe colocarlo en una caja protectora seca y a prueba de intemperie.
4. Es imprescindible instalar en la fuente de suministro de la red un dispositivo de corriente residual de 10mA o 30mA.
5. La instalación debe cumplir con los reglamentos de las autoridades nacionales y locales de electricidad, lo cual puede incluir el uso de un conducto de plástico o metal para proteger el cable.
6. **ADVERTENCIA:** Es imprescindible que la fuente de energía de este aparato cuente con una conexión a tierra.
7. El cable de la bomba (y el cable de extensión) debe contar con protección apropiada para que no se dañe, especialmente en caso de existir la posibilidad de contacto con equipos de jardinería (cortacéspedes, horquillas etc.), niños y animales domésticos.

## Instalación

**IMPORTANTE:** al utilizarla como unidad anfibia, la bomba ubicada en terreno seco DEBE colocarse en posición horizontal, como se muestra en la imagen. (Fig. 2 & 3)

## Ensamblaje e Instalación de la Bomba - Operación Sumergida

1. Abra los ganchos que se hallan en ambos extremos de la jaula del tamiz, y abra la jaula (Fig1 – F).
2. Retire el protector de peces pequeños (imagen 1–A).
3. Saque la articulación de rótula, acoplamientos de

extremo de manguera y control de flujo (Fig 1 – D, E y H).

4. Saque y desenrolle el cable de suministro de la red.
5. Procure que la salida de la bomba se sujete en el adaptador de salida (Fig 1 – C). Coloque la bomba en su lugar de montaje, procurando que el adaptador se encaje en los soportes de sujeción que se hallan en la parte delantera de la jaula inferior (Fig 4).

**Nota:** El adaptador debe orientarse de modo que la salida quede colocada en la parte inferior de la jaula (imagen 5).

6. Coloque el cable de suministro de la red en el nicho que se halla en un lado de la jaula. Se debe procurar que el cable se sitúe en posición correcta, de tal manera que no quede atrapado al cerrar la jaula. (Fig 6).  
Coloque de nuevo el protector de peces pequeños.
7. Cierre la tapa de la jaula, procurando que el tapón del extremo (Fig 1 – g) se sitúe en la posición correcta, y sujétela ejerciendo presión en la parte central de los ganchos (Fig 7).
8. Compruebe que la salida y entrada de la articulación de rótula estén en la posición correspondiente, y atornille la tuerca firmemente sobre la rosca del adaptador de salida. Compruebe que la salida y entrada de la articulación de rótula estén en la posición correspondiente, y atornille la tuerca firmemente sobre la rosca del adaptador de salida (Fig 8).
9. El flujo del agua se restringe demasiado si se usan mangueras de diámetro pequeño. Cuanto mayor sea el diámetro de la manguera que se use, mejor será el rendimiento de la bomba, especialmente cuando se trata de largos tramos de manguera. El acoplamiento de extremo de manguera que viene con esta unidad soporta mangueras de 25 mm , 32 mm y 40 mm, y además viene con una rosca de 20 mm para instalar accesorios para fuente. Siempre recomendamos que con bombas de este tamaño se use una manguera con diámetro de 40 mm cuando se usa la bomba para una cascada o en combinación con un sistema de filtración (Fig 2 y 3). Una vez que haya determinado el diámetro de la manguera que va a usar, para que no haya restricción, debe recortar las graduaciones del acoplamiento de extremo de manguera que sean más pequeñas que el diámetro de la manguera (Fig 9). Conecte al acoplamiento de extremo de manguera un tramo de manguera de la longitud correspondiente, y sujételo con un gancho de manguera apropiado, colocando la salida de la manguera en la posición requerida.
10. Atornille el acoplamiento de extremo de manguera directamente en la saliente de la salida de la articulación de rótula (Fig 10). Se puede hacer girar la articulación de rótula para permitir orientar la

manguera en sentido contrario a la posición de la bomba.

### Posición de la bomba del estanque

11. Para óptimos resultados, se debe colocar la bomba en parte más profunda del estanque. De esta manera, se puede optimizar la circulación del agua dentro del estanque, y cuando se usa como bomba de filtración, se optimiza su capacidad de manipulación de partículas sólidas.

Para óptimos resultados, no se debe colocar la bomba directamente sobre el fondo del estanque, recomendamos instalar la bomba en una plataforma nivelada que esté a unos 300 mm del fondo del estanque. De esta manera, se puede evitar que la bomba succione suciedad directamente del fondo del estanque, y también se garantiza que quede suficiente agua en el estanque en caso de algún escape imprevisto del agua del estanque (Ver la fig 11).

No se debe usar el cable eléctrico para levantar la bomba, porque se puede dañar. Para poder levantar la bomba cuando está en agua profunda, recomendamos instalar una cuerda en la jaula del filtro.

### Protector de peces pequeños

12. Si en el estanque hay peces u otro tipo de especies acuáticas, es importante tener en cuenta que hay épocas del año en las que éstos pueden criar. Como las crías de peces son pequeñas, la bomba puede llegar a succionarlas. Para minimizar este riesgo, la gama de bombas de agua Aquaforce incluye un exclusivo protector de peces pequeños, que reduce a 2 mm la boca de entrada al filtro para que las crías estén seguras en una etapa tan crítica de su ciclo vital. Para utilizar este elemento, coloque las cuatro patas del protector en el área correspondiente de la jaula inferior, como se muestra en la imagen 12, y asegúrese de que el protector quede bien colocado y orientado. Cierre la cubierta de la jaula y fije los ganchos. Mientras se utiliza el protector, es posible que sea necesario desatascar el filtro con mayor frecuencia. Cuando los peces u otro tipo de especies acuáticas hayan crecido lo suficiente, podrá quitar el protector de la jaula de la bomba y devolver a la entrada del filtro su tamaño máximo de 10 mm.

## Modo de Usar el Control de Flujo

Con el control de flujo (Fig 1 - h) se puede variar la cantidad de agua que entra en la bomba. Además, se puede usar también para conectar una segunda entrada a la bomba, como un filtro satélite o filtro de superficie. No se debe usar el control de flujo cuando se use la bomba en forma anfibia.

1. Abra la jaula y saque el tapón del extremo (Fig 1 - G).



2. Para cerrar el control de flujo, haga girar la parte exterior del mismo hasta que coincidan las flechas.
3. Atornille el control de flujo firmemente en la entrada de la bomba, haciendo que coincidan las flechas que se hallan en el control de flujo con la flecha que está en el medio de la parte superior de la cámara de la bomba (Fig 13).
4. Introduzca la bomba en la jaula. Procure que las ranuras del adaptador de salida coincidan con los soportes que se hallan en la jaula inferior, y que el asidero del control de flujo se encuentre en la parte exterior de la jaula (Fig 14).
5. Para usar el sistema para controlar el flujo, atornille el tapón del extremo en el extremo libre del control de flujo.
6. Haga girar el asidero hasta que esté en la posición requerida. Esto modifica el tamaño de la apertura del control de flujo. La flecha del asidero coincide con el indicador que se halla en la parte exterior de la jaula superior. Cuando la punta de la flecha coincide con el indicador que se halla en la parte exterior de la jaula del filtro, indica que hay un flujo mínimo. Cuando el extremo ancho de la flecha coincide con el indicador, señala que hay un flujo máximo (Fig 14).
7. Introduzca el cable en el nicho correspondiente (Ver el punto 6 en Operación Sumergida), cierre la tapa de la jaula y sujete los ganchos.
8. Para usar una segunda entrada, conecte un tramo de manguera de la longitud apropiada en un acoplamiento de extremo de manguera que se haya cortado de tal manera que tenga el diámetro correspondiente, y atornílelo en el extremo libre del control de flujo, en vez del tapón del extremo (Fig 15).
9. El otro extremo de la manguera se puede conectar con un filtro de satélite (Fig 17) (se puede obtener como pieza de repuesto de Hozelock) o con un filtro de superficie (Fig 16).
10. Al hacer girar el asidero del control de flujo, se puede modificar la cantidad de agua que entra por el filtro de satélite o por el filtro de superficie.

## Instalación de la Bomba - Anfibia

Esta bomba se puede usar en forma anfibia (es decir, se puede usar sin estar sumergida).

**ADVERTENCIA:** Procure que no ingrese aire a la unidad, y que no funcione en seco, porque de ser así, se dañará la bomba!

**ADVERTENCIA:** desconecte o desenchufe siempre todos los dispositivos del estanque que estén conectados a la toma de corriente antes de introducir las manos en el agua durante la instalación, la reparación, el mantenimiento o la manipulación del equipo.

**NOTA:** Esta bomba no se ceba automáticamente. La

manguera de aspiración y la bomba han de llenarse de agua antes de activar el equipo.

1. Abra los ganchos que se hallan en ambos extremos de la jaula del tamiz, abra la jaula, y saque todo el contenido.
2. Desatornille el adaptador de salida de la bomba, e introdúzcalo en los soportes de la jaula inferior (Fig 18)
3. Coloque la bomba debajo de la superficie del agua, cerca de un lado del estanque, para permitir que el agua fluya a la cámara de bombeo (no es autoaspirante) (Fig 19).
4. Corte 2 acoplamientos de extremo de manguera para que tengan el tamaño requerido (Ver el punto 9 en Operación Sumergida). Sujete un tramo de manguera con la longitud correspondiente en cada acoplamiento de extremo de manguera, y sujételos con ganchos de manguera apropiados.
5. Hunda la manguera de entrada debajo de la superficie del agua, procurando que la manguera se llene completamente de agua. Atornille el acoplamiento de extremo de manguera en la entrada de la bomba, usando la arandela que viene con el equipo para que selle en forma impermeable. (Fig 20).
6. Para conectar la manguera de salida a la bomba, acóplela atornillándola al acoplamiento de extremo de manguera. Utilice la arandela que viene con el equipo para que el sello quede impermeable (Fig 21).
7. Compruebe que la cámara de la bomba y la manguera estén llenos de agua, y encienda la bomba. Ahora se puede sacar la bomba del agua, colocándola en su lugar de operación anfibia, procurando que el extremo de entrada de la manguera permanezca sumergido.
8. Para evitar que se atasque la bomba, usando otro acoplamiento de extremo de manguera, conecte la jaula con el extremo de entrada de la manguera de entrada.
9. Al usar la bomba en forma anfibia, se debe proteger la bomba de la luz solar directa, ya que dicha luz puede sobrecalentar el motor.
10. La articulación de rótula no ha sido diseñada para ser usada fuera del agua.

## Mantenimiento

La gama de bombas Aquaforce de Hozelock Cyprio han sido diseñadas para permitir mantenimiento rápido y fácil. Para prolongar la vida útil de su bomba, y mantenerla en óptimas condiciones de funcionamiento, debe observar las siguientes directrices para su mantenimiento.

**Precaución:** Antes de introducir las manos en el agua o empezar trabajos de mantenimiento, siempre hay que desenchufar o desconectar de la fuente de

energía TODOS los aparatos que se encuentren en el estanque.

1. Cuando la bomba esté recién instalada, se debe revisar todos los días para constatar que esté funcionando correctamente.
2. Si observara alguna baja de rendimiento (poco caudal), debe limpiar la jaula del tamiz. La frecuencia de la limpieza variará según la condición del agua del estanque. En los meses de verano, puede ser hasta una vez a la semana. Para limpiar la jaula del tamiz, abra los ganchos y saque la bomba para poder sacar los desechos que estén tapando los orificios del filtro, y luego lavar con agua limpia. También debe comprobar que no exista ningún obstáculo causado por desechos en la cámara de la bomba ni en el rotor.
3. Por lo menos una vez al año, debe desarmar la bomba completamente, lo cual incluye el conjunto del rotor, tal como se señala a continuación, lavando todos sus componentes en agua limpia y fresca. Cambiar cualquier pieza desgastada o rota.

#### **Montaje y desmontaje de la bomba (6000 y 8000) - Imágenes 22 y 24**

1. Apague la bomba, retire la jaula del filtro como se explicó anteriormente y extraiga la bomba.
2. Asegúrese de que la bomba está fría antes de desmontarla.
3. Retire los 4 tornillos Pozidriv (a) de la cámara.
4. Con cuidado y en ángulo recto, extraiga la cámara de la bomba (b) del cuerpo del motor (e).
5. Extraiga el mecanismo del rotor (c) del cuerpo del motor. ¡Importante! Tenga sumo cuidado para que no caiga el mecanismo del rotor.
6. Lave todos los componentes con agua limpia. No utilice detergentes ni limpiadores químicos.
7. Asegúrese de que la junta tórica (d) se encuentre bien colocada en su ranura (imágenes 24a y 24b).
8. Vuelva a colocar el mecanismo del rotor dentro del cuerpo del motor y asegúrese de que los orificios de la placa, situados detrás del impulsor, encajen en los pasadores del cuerpo del motor (imágenes 24c y 24d).
9. Vuelva a colocar la cámara de la bomba. Gire la cámara para alinear los orificios de los tornillos y vuelva a colocarlos, con cuidado de que no se salgan las tuercas del cuerpo del motor (imagen 24e).
10. Vuelva a colocar la bomba en la jaula del filtro.

#### **Montaje y desmontaje de la bomba (12000 y 15000) - Imágenes 23 y 25**

1. Apague la bomba, retire la jaula del filtro como se explicó anteriormente y extraiga la bomba.
2. Asegúrese de que la bomba está fría antes de desmontarla.
3. Retire los 4 tornillos Pozidriv (a) de la cámara.
4. Gire y extraiga en ángulo recto la cámara de la

bomba (b) del cuerpo del motor (e).

5. Extraiga el mecanismo del rotor (c) del cuerpo del motor.  
¡Importante! Tenga sumo cuidado para que no caiga el mecanismo del rotor.
6. Lave todos los componentes con agua limpia. No utilice detergentes ni limpiadores químicos.
7. Vuelva a colocar el mecanismo del rotor dentro del cuerpo del motor (imagen 25a) y asegúrese de que los orificios de la placa, situados detrás del impulsor, encajen en los pasadores del cuerpo del motor (imágenes 25b).
8. Tenga en cuenta que la ranura de la junta tórica se forma cuando el rotor se ha colocado correctamente (imagen 25c). Coloque la junta tórica (d) sobre el rotor. Asegúrese de que la junta tórica esté colocada correctamente entre la placa del rotor y el cuerpo del motor (imagen 25d).
9. Vuelva a colocar la cámara de la bomba. Gire la cámara para alinear los orificios de los tornillos y vuelva a colocarlos, con cuidado de que no se salgan las tuercas del cuerpo del motor (imagen 25e).
10. Vuelva a colocar la bomba en la jaula del filtro.

### **Winter Care**

1. En el otoño se debe sacar la bomba del estanque.
2. Limpie la bomba de la manera señalada más arriba.
3. Durante el invierno, recomendamos guardar la bomba en un cubo de agua, para evitar que se sequen, y potencialmente se agarroten los cojinetes. Esto es especialmente importante si Ud. ha usado la bomba en una zona con agua dura. El cubo de agua que contiene la bomba debe guardarse en un lugar protegido contra las heladas.

### **Identificación/Resolución de Averías**

**Importante – Debe guardar esta sección para consulta futura.**

#### **POCO CAUDAL DE LA BOMBA**

1. Compruebe que esté limpia la jaula del tamiz.
2. Se limita el caudal de salida si el tubo de salida es de diámetro pequeño.
3. Procure que no exista ningún obstáculo en la cámara de la bomba.
4. Si usa la bomba en forma anfibia, procure que no se use la articulación de rótula, y al instalar el extremo de manguera en las bombas, se deben usar las arandelas que vienen con el equipo.

#### **NO FLUYE AGUA DE LA BOMBA**

1. Compruebe que esté encendido el suministro de electricidad.

2. Revise el fusible, el dispositivo de corriente residual y el cableado.
3. Compruebe que el conjunto del rotor no se encuentre atascado, bloqueado, dañado ni excesivamente desgastado.
4. Procure que la jaula del tamiz esté limpia.
5. Es posible que se haya activado el sistema de protección contra sobrecarga térmica. (ver la INTRODUCCIÓN).

inapropiados. La empresa acepta responsabilidad solamente para reemplazar una bomba defectuosa.

Esta garantía no es transferible. No afecta sus derechos estatutarios. Para aprovechar los beneficios que ofrece la garantía, debe contactar primero al Servicio de Atención al Cliente de Hozelock Cyprio, que puede solicitar se remita la bomba junto con el recibo de compra, directamente a la dirección que se señala a continuación.

[www.hozelock.com](http://www.hozelock.com)

## Garantía de 3+2 Anos de Hozelock Cyprio

Si dentro de 3 años de la fecha de compra, esta bomba quedara fuera de servicio, se reparará o se reemplazará gratuitamente, a nuestra discreción, a menos que, a nuestro juicio, haya sido dañada o usada inapropiadamente. Para extender esta garantía a 5 años, rogamos subscribirse en <http://register.hozelock.com>.

No se acepta responsabilidad por daños que se hayan producido por accidente, instalación o uso

## Rendimiento\*

Aquaforce	1000	2500	4000	6000	8000	12000	15000
Numéro des pièces vendables	1580	1581	1582	1583A	1584A	1585A	1586A
Voltios (v)	230V 50Hz	230V 50Hz	230V 50Hz	230V 50Hz	230V 50Hz	230V 50Hz	230V 50Hz
Vatios (W.)	25	30	50	65	95	130	180
Caudal máximo, QMax, (l/h)	1000	2500	4000	6000	8000	12000	15000
Presión máxima, HMax, (m)	1.5	2.1	2.5	3.5	4.0	5.0	5.7
Calificación IP	IPX8	IPX8	IPX8	IPX8	IPX8	IPX8	IPX8
Profundidad máxima de sumersión (m)	2.5	2.5	2.5	2.5	2.5	2.5	2.5
Temperatura máxima del agua Tmax (°C)	35°C	35°C	35°C	35°C	35°C	35°C	35°C
Uso anfíbio	✗	✗	✗	✓	✓	✓	✓

\*Evaluada en condiciones de laboratorio

S

Tack för att du valde en kvalitetsprodukt från Hozelock, du kan försäkra dig om många års pålitlig användning med denna produkt.



**DENNA APPARAT ÄR AVSEDD FÖR HEMMABRUK.**

**LÄS DESSA INSTRUKTIONER NOGGRANT INNAN DU PÅBÖRJAR INSTALLATIONEN.**

**UNDERLÅTENHET ATT IAKTTA FÖLJANDE INFORMATION KAN LEDA TILL PERSONSKADOR, SKADOR PÅ PRODUKTEN ELLER FÖRLUST AV FISK. BEHÅLL DESSA INSTRUKTIONER FÖR FRAMTIDA REFERENS.**

**DU KAN ÄVEN LADDA NED DESSA INSTRUKTIONER FRÅN <http://www.hozelock.com/customer-service/instruction-leaflets.html>.**

## Innehåll

(Fig.1) Kontrollera att allt innehåll finns på plats före installationen.

- A. Tillbehör för skydd av små fiskar
- B. Pump
- C. Utloppsadapter

- D. Kulled
- E. Slanganslutningstapp och mutte
- F. Filterbur
- G. Blindflänsen
- H. Flödeskontrollen
- I. Instruktionsbok

## Inledning

Den här Hozelock Cyprio Aquaforce-pumpen är eldriven och har utformats för att pumpa fasta partiklar med upp till 10 mm diameter, med minimalt underhåll av förfiltreringen. Dessa typer av pumpar är särskilt lämpliga för att pumpa vatten till externa filter eller för användning i vattenfall med stort flöde, eller där vatten leds och ett lågt behov av underhåll är av vikt. Pumpen smörjs inte med olja eller fett och är säker att använda i dammar med fiskar eller växter. Motorn består av en stator med tätning och en vattenkyld rotor. Alla elektriska komponenter är isolerade från vattnet.

### OBS!

#### AUTOMATISKT FRÅNSLAGNINGSDON

För att göra pumpen hållbar och skydda mot skador är den utrustad med automatiskt överbelastningsskydd. Detta stänger av pumpen om den blir överhettad. Om detta inträffar ska du stänga av strömmen vid nätaggregatet till pumpen. Ta reda på orsaken. Ofta är det skräp som blockerar pumpinloppen eller hindrar pumpshjulet. Avlägsna blockeringen och vänta tills pumpen har svalnat. Koppla sedan på pumpen igen.

## Allmänna Riktlinjer för Säkerhet

1. Denna pump är endast avsedd att användas i en damm. Pumpen får bara användas till att driva dammfiltersystem, fontäner, vattenfall o.s.v. Använd inte pumpen till något annat ändamål (t.ex. simbassänger, badrum, centralvärmesystem o.s.v.). Om den används till något annat ändamål kan det leda till att personer eller pumpen skadas.
2. **Viktigt** – Den här apparaten får endast användas av en ansvarsfull, vuxen person som klarar av att göra det på ett säkert sätt och är införstådd med riskerna. Använd och förvara apparaten utom räckhåll för barn och personer med nedsatt fysisk, sensorisk eller psykisk förmåga.
3. **WARNING:** Ta alltid ut stickkontakten eller koppla bort alla apparater i dammen från elnätet innan du stoppar ner händerna i vattnet medan utrustningen installeras, repareras eller hanteras. **Sänk aldrig ned kabelns stickkontakt i vatten.**
4. Lyft aldrig pumpen med nätsladden eftersom det kan vålla skador. Bästa metoden är att fästa en lyftlina i handtaget på silburen när pumpen är installerad i djupt vatten.

5. Pumpen ska inte köras eller sitta i temperaturer under noll.
6. Skydda pumpen mot direkt solljus. Det kan göra att motorn överhettas.
7. Låt aldrig pumpen gå torr.
8. Kör inte pumpen utan att silburen är rätt påsatt. Om pumpen används utan silburen kan garantin bli ogiltig.
9. **OBS!** Denna produkt lämpar sig inte för vattentemperaturer över 35 °C.
10. **OBS!** Kör inte pumpen om nätsladden eller motorn har skadats på något sätt. Nätsladden kan inte bytas ut eftersom den är permanent inkapslad i motorhuset. Den måste därför bortskaffas enligt gällande bestämmelser.
11. Om du bor i ett område med hårt vatten (vatten med hög halt av kalcium eller kalkavkavringar) ska pumpen, rotorn och motorns inre rengöras regelbundet (se UNDERHÅLL).
12. Använd endast tillbehör som har konstruerats för att användas med denna produkt. Om andra tillbehör används kan det göra garantin ogiltig.
13. Pumpen är ej lämplig för användning med saltvatten eller havsvatten.
14. Se tabellen i slutet av dessa instruktioner beträffande pumparnas maximala totala uppfordringshöjd.

## Elektrisk Anslutning

1. **WARNING!** Bryt alltid strömmen till alla apparater i dammen innan du sätter ned händerna i vattnet när utrustningen ska installeras, repareras, underhålls eller hanteras.
2. Kontrollera att spänningen som anges på enheten stämmer med nätaggregatet.
3. Pumpen levereras med en 10 m lång 3-kärnig elkabel som är permanent ansluten och förseglad på motorn. Nätsladden kan inte bytas ut. Om sladden skadas måste pumpen kasseras. Stickproppen som medföljer produkten är inte vattentät utan måste placeras i ett torrt, vattentätt hölje.
4. En 10 mA eller 30 mA restströmanordning (RCD) måste monteras på nätaggregatet.
5. Installationen måste stämma med alla gällande bestämmelser för ledningsdragning, vid behov med skyddsror av plast eller metall kring kabeln.
6. **WARNING!** Denna apparat måste anslutas till en jordad spänningskälla.
7. Pumpsledningen (och förlängningskabeln) ska dras och skyddas väl mot skador, i synnerhet där det finns risk för kontakt med trädgårdsutrustning (gräsklippare, grep o.s.v.), barn och husdjur.

## Installation

**OBS!** Vid amfibisk drift måste den torrt placerade pumpen vara i horisontell position, enligt bilden. (Fig. 2 & 3)

### Pumpens Hopmontering och Installation - Undervattensfunktion

1. Öppna klämmorna i vardera änden på silburen och öppna buren (Fig. 1f).
2. Ta bort tillbehöret för skydd av små fiskar (fig. 1–A).
3. Ta ut och packa upp kulled, slanganslutningstappar och flödeskontroll (fig. 1 - d, e och h).
4. Ta ut nätsladden och linda av den.
5. Se till att pumpens utlopp är fäst på utloppsadaptern (fig. 1c). Placera pumpen på monteringsplatsen och se till att adaptern passar in i styrribborna framtill på burens nedre del (fig. 4).

**Anm.:** Adaptern ska riktas med utloppet mot botten av huset (fig. 5).

6. Placera nätsladden i försänkningen på sidan av buren. Se efter att den sitter i rätt läge så att sladden inte fastnar när buren stängs. (Fig 6) Sätt tillbaka tillbehöret för skydd av små fiskar.
7. Stäng burlocket och se efter att blindflänsen (fig. 1 g) är i rätt läge. Säkra genom att trycka mitt på klämmorna (fig. 7).
8. Kontrollera att kulledens in- och utloppsnav är i linje och skruva fast muttern på utloppsadapterns skruvgänga (fig. 8).
9. Om man använder smala slangar reduceras vattenflödet för mycket. Ju större slangdiametern är desto bättre fungerar pumpen, speciellt över långa slanglängder. Slanganslutningstappen som medföljer pumpen kan ta 25 mm, 32 mm och 40 mm slang samt en 3/4" BSP skruvgänga för montering av fontäntillbehör. För pumpar i den här storleken rekommenderar vi alltid slangen med 40 mm diameter när pumpen används som vattenfallspump eller i kombination med ett filter (fig. 2 och 3). När du har valt vilken slangdiameter du vill använda, ska du kapa av stegen på tappen som är smalare än slangdiametern för att undvika åtstrykning (fig. 9). Sätt fast en lämplig slanglängd på slanganslutningstappen, säkra med en lämplig slangklämma och placera slangens utloppsände i önskat läge.
10. Skruva fast slanganslutningstappen direkt på kulledens utloppsnav (fig. 10). Kulleden kan vridas så att slangen kan riktas bort från pumpen.

#### Pumpens läge i dammen

11. För bästa resultat ska pumpen placeras i dammens djupaste del. Detta garanterar bästa

vattencirkulation i dammen, och när pumpen används som filtreringspump maximeras dess kapacitet att hantera fast material.

För bästa resultat ska pumpen inte placeras direkt på botten av dammen. Vi rekommenderar att pumpen installeras på en plan, jämn plattform som står cirka 30 cm ovanför dammens botten. Detta hindrar att pumpen suger in jord direkt från dammens botten och garanterar att det finns tillräckligt mycket vatten kvar i dammen om det skulle börja läcka vatten ur dammen (se fig. 11). Lyft aldrig pumpen med nätsladden eftersom det kan vålla skador. Bästa metoden är att fästa en lyftlina i handtaget på silburen när pumpen är installerad i djupt vatten.

#### Tillbehör för skydd av små fiskar

12. Om du har fiskar eller andra djur i din damm, så infaller parningstider under året. Fiskynglen är vid denna tid små och kan sugas in i pumpen. Aquaforce-sortimentet av pumpar har ett unikt tillbehör för skydd av små fiskar för att minimera risken att detta sker. Tillbehöret minskar storleken på inloppsfiltrets hål ned till 2 mm vid denna kritiska tidpunkt i fiskarnas livscykel. Om du vill använda det här verktyget placerar du tillbehörets fyra ben på motsvarande område på botten av huset som i fig. 12. Se till att tillbehöret är vänt åt rätt håll. Stäng locket till huset och fäst hakarna. När tillbehöret är i bruk måste du eventuellt rensa filterhuset oftare. När fiskarna eller de andra djuren har växt sig tillräckligt stora kan du avlägsna tillbehöret från pumpens hus och återställa filterstorleken till max, som uppgår till 10 mm.

### Användning av Flödeskontrollen

Flödeskontrollen (fig. 1 H) kan variera vattenmängden som kommer in i pumpen. Den kan också användas för att ansluta ytterligare ett inlopp till pumpen, t.ex. satellitfilter eller avskiljare. Använd inte flödeskontrollen när pumpen går i amfibiefunktion.

1. Öppna buren och ta ut blindflänsen (fig. 1 G).
2. Stäng flödeskontrollen genom att vrida ytterdelen tills pilarna sammanfaller.
3. Skruva stadigt fast flödeskontrollen på pumpinloppet så att pilarna på kontrollen sammanfaller med pilen mitt på pumpkammarens topp (fig. 13).
4. Placera pumpen i buren. Se till att spåren i utloppsadaptern sammanfaller med ribborna i burens nedre del och att flödeskontrollen griper om burens utsida (fig. 14).
5. För användning som flödeskontroll skruvas blindflänsen fast på dess fria ände.
6. Vrid handtaget till önskat läge. Detta varierar

- storleken på flödeskontrollens öppning. Pilen på handtaget sammanfaller med visaren på utsidan av burens övre del. När pilens spetsiga ände sammanfaller med visaren utanpå silburen anger detta minimiflödet. När pilens breda ände sammanfaller med visaren anger det maximiflöde (se fig. 14).
- Placera sladden i försänkningen (se punkt 6 under Undervattensfunktion), stäng burlocket och säkra klämmorna.
  - För att kunna använda ytterligare ett inlopp, anslut en lämplig slanglängd till en slanganslutningstapp (kapad till lämplig diameter) och skruva fast den i flödeskontrollens fria ände i stället för blindflänsen (fig. 15).
  - Slangens andra ände kan anslutas till ett satellitfilter (fig. 17) (kan erhållas som reservdel från Hozelock) eller till en avskiljare (fig. 16).
  - Vattenmängden som kommer in genom satellitfilter eller avskiljare kan varieras genom att vrida flödeskontrollens handtag.
  - Fäst utloppsslangen på pumputloppet genom att skruva den på slanganslutningstappen. Se till att det blir en vattentät försegling med hjälp av medföljande bricka (fig. 21).
  - Kontrollera att pumpkammaren och slangen är fyllda med vatten och koppla på pumpen. Pumpen kan nu tas upp ur vattnet till sin amfibiefunktionsplats, men kontrollera att slangens inloppsände fortfarande är under vatten.
  - Anslut burens till inloppsändan på inloppsslangen med en annan slanganslutningstapp för att hindra att pumpen täpps igen.
  - Skydda pumpen mot direkt solljus när den används i amfibiefunktion. Solljuset kan göra att motorn överhettas.
  - Kulleden är endast avsedd att användas nedsänkt i vatten.

## Underhåll

Aquaforce-pumparna i serien Hozelock Cyprio är konstruerade för att underhållsarbetet ska gå snabbt och lätt. Följ dessa riktlinjer för underhållet så att pumpen håller längre och är i bästa möjliga skick.

**Obs!** Bryt alltid strömmen till ALLA apparater i dammen innan du sätter ned händerna i vattnet eller påbörjar underhållsarbetet.

- När pumpen är nyinstallerad ska du kontrollera varje dag att den fungerar rätt.
- Om du märker att prestationen försämras (dåligt flöde) ska silburen rengöras. Rengöringsintervallet varierar med kvaliteten på vattnet i dammen. Under sommarmånaderna kan det krävas rengöring varje vecka. Öppna klämmorna och ta ut pumpen för att rengöra burens. Buren kan sedan torkas ren för att få bort skräp som blockerar silhålen. Skölj den i rent vatten. Kontrollera även att pumpens kammare och rotor inte blockerats av skräp.
- Minst en gång om året ska pumpen tas isär helt och hållet (inklusive rotorn) enligt beskrivningen nedan. Tvätta alla komponenter i rent, friskt vatten. Ersätt slitna eller trasiga delar.

### Isärtagning och ihopsättning av pumpen (6000 & 8000) – fig. 22 & 24

- Stäng av pumpen, ta bort filterhuset på det sätt som beskrivs ovan och ta bort pumpen.
- Se till att pumpen är sval innan du tar isär den.
- Lossa de fyra posidriv-skruvorna (a) från kammaren.
- Dra försiktigt loss pumpkammaren (b) vinkelrätt från motorhuset (e).
- Dra ut rotoresheten (c) ur motorhuset. Viktigt! Var försiktig så att du inte tappar rotoresheten.
- Tvätta alla komponenter i rent vatten. Använd inte

## Pumpinstallation - Amfibiefunktion

Denna pump kan användas med amfibiefunktion (d.v.s. den kan köras även när den inte är nedsänkt i vatten).

**VARNING!** Se till att pumpen inte suger in luft eller går torrt, då kan den skadas!

**VARNING!** Ta alltid ut stickkontakten eller koppla bort alla apparater i dammen från elnätet innan du stoppar ner händerna i vattnet medan utrustningen installeras, repareras eller hanteras.

**ANM.:** Denna pump självfylls inte. Sugslangen och pumpen måste fyllas med vatten innan den kopplas på.

- Öppna klämmorna i varje ände av silburen, öppna burens och ta ut innehåll.
- Skruva loss utloppsadaptern från pumputloppet och placera den i ribborna i burens nedre del (fig. 18).
- Placera pumpen under vattenytan nära sidan av dammen så att vattnet kan rinna in i pumpkammaren (fig. 19).
- Kapa 2 slanganslutningstappar till önskad storlek (se punkt 9 under Undervattensfunktion). Sätt fast en lämplig slanglängd på varje slanganslutningstapp och fäst med lämpliga slangklämmor.
- Sänk ned inloppsslangen under vattenytan och kontrollera att hela slangen fylls. Skruva fast slanganslutningstappen på pumpens inlopp och se till att det blir en vattentät försegling med hjälp av medföljande bricka (fig. 20).

- tvättmedel eller andra kemiska rengöringsmedel.
7. Se till att o-ringen (d) befinner sig i spåret (fig. 24a & 24b).
  8. Sätt tillbaka rotoresheten i motorhuset och se till att hålen i plattan bakom pumphjulet hamnar på stiften på motorhuset (fig. 24c & 24d).
  9. Sätt tillbaka pumpkammaren. Vrid kammaren för att passa in skruvhålen och sätt tillbaka skruvarna. Var noga så att inte muttrarna trycks ut i motorhuset (fig. 24e).
  10. Sätt tillbaka pumpen i filterhuset.

### Isärtagning och ihopsättning av pumpen (12000 & 15000) – fig. 23 & 25

1. Stäng av pumpen, ta bort filterhuset på det sätt som beskrivs ovan och ta bort pumpen.
2. Se till att pumpen är sval innan du tar isär den.
3. Lossa de fyra posidriv-skruvarna (a) från kammaren.
4. Vrid och dra loss pumpkammaren (b) vinkelrätt från motorhuset (e).
5. Dra ut rotoresheten (c) ur motorhuset. Viktigt! Var försiktig så att du inte tappar rotoresheten.
6. Tvätta alla komponenter i rent vatten. Använd inte tvättmedel eller andra kemiska rengöringsmedel.
7. Sätt tillbaka rotoresheten i motorhuset (fig. 25a) och se till att hålen i plattan bakom pumphjulet hamnar på stiften på motorhuset (fig. 25b).
8. Observera att o-ringens spår formas när rotorn placerats på rätt sätt (fig. 25c). Passa in o-ringen (d) över rotorn. Se till att o-ringen sitter på, korrekt placerad mellan rotorplattan och motorhuset (fig. 25d).
9. Sätt tillbaka pumpkammaren. Vrid kammaren för att passa in skruvhålen och sätt tillbaka skruvarna. Var noga så att inte muttrarna trycks ut i motorhuset (fig. 25e).
10. Sätt tillbaka pumpen i filterhuset.

## Skötsel under Vintern

1. Ta upp pumpen ur dammen på hösten.
2. Rengör pumpen enligt beskrivningen ovan.
3. Under vintern rekommenderar vi att pumpen förvaras i en hink med vatten. Detta hindrar att lagren torkar ut och eventuellt kärvar. Detta är särskilt viktigt om pumpen har använts i ett hårdvattenområde. Vattenhinken med pumpen ska ställas på en frostskyddad plats.

## Felsökning

Viktigt! Spara detta avsnitt som referens.

### DÅLIGT FLÖDE FRÅN PUMPEN

1. Kontrollera att silburen är ren.

2. Ett smalt utloppsrör stryper utflödet.
3. Se till att det inte finns någon blockering i pumpkammaren.
4. Om pumpen används i amfibiefunktion får kulleleden inte användas. Kontrollera också att medföljande bricker används när slanganslutningstappen sätts fast på pumpen.

### INGET FLÖDE FRÅN PUMPEN

1. Kontrollera att strömförsörjningen är på till pumpen.
2. Kontrollera säkring, RCD och ledningar.
3. Kontrollera att rotorn inte har fastnat, blockerats, skadats eller visar tecken på hårt slitage.
4. Kontrollera att silburen är ren.
5. Det termiska överbelastningsskyddet har utlöst (se INLEDNING).

## Hozelock Cyprio 3+2 Års Garanti

Om denna pump (med undantag av rotormontaget) blir obrukbar inom 3 år från inköpsdatum, repareras den eller byts ut gratis enligt vårt val, såvida den inte enligt vår åsikt har skadats eller missbrukats. För förlängning av denna 3-årsgaranti till 5 år, var vänlig registrera detta på <http://register.hozelock.com>.

Ingen skyldighet accepteras för skador på grund av olyckshändelse, felaktig installation eller användning. Skyldigheten begränsas till utbyte av en defekt pump.

Denna garanti kan inte överlåtas. Den påverkar inte dina lagliga rättigheter. För att erhålla garantiförmåner, kontakta i första hand Hozelock Cyprio kundtjänst som kan be dig att skicka pumpen tillsammans med inköpsbevis direkt till nedanstående adress:

[www.hozelock.com](http://www.hozelock.com)

## Prestanda\*

Aquaforce	1000	2500	4000	6000	8000	12000	15000
Säljbart reservdelsnummer	1580	1581	1582	1583A	1584A	1585A	1586A
Volt (V)	230V 50Hz	230V 50Hz	230V 50Hz	230V 50Hz	230V 50Hz	230V 50Hz	230V 50Hz
Effekt (W)	25	30	50	65	95	130	180
Max. flöde, QMax, (l/t)	1000	2500	4000	6000	8000	12000	15000
Max. tryckhöjd, HMax, (m)	1.5	2.1	2.5	3.5	4.0	5.0	5.7
IP-klass	IPX8	IPX8	IPX8	IPX8	IPX8	IPX8	IPX8
Max. nedsänkingsdjup (m)	2.5	2.5	2.5	2.5	2.5	2.5	2.5
Max. vattentemperatur Tmax (°C)	35°C	35°C	35°C	35°C	35°C	35°C	35°C
Ambifiefunktion	✗	✗	✗	✓	✓	✓	✓

\*Mätt under kontrollerade förhållanden

**FIN**

Kiitos, kun valitsit Hozelockin laatutuotteen. Voit olla varma, että tämä tuote toimii luotettavasti vuosia.



**LAITE ON TARKOITETTU KOTIKÄYTTÖÖN. LUE NÄMÄ KÄYTTÖOHJEET HUOLELLISESTI ENNEN TUOTTEEN KÄYTTÄMISTÄ.**

**SEURAAVIEN OHJEIDEN LAIMINLYÖNTI VOI JOHTAA VAMMAAN, TUOTTEEN VAHINGOITUMISEEN TAI KALOJEN MENETYKSEEN.**

**SÄILYTÄ NÄMÄ OHJEET MYÖHEMPÄÄ KÄYTTÖÄ VARTEN.**

**VOIT LADATA NÄMÄ OHJEET MYÖS OSOITTEESTA <http://www.hozelock.com/customer-service/instruction-leaflets.html>.**

### Sisältö

**(Kuva.1) Tarkista, että pakkauksessa on kaikki tarvittava ennen kuin alat asentaa laitetta.**

- A. Pienten kalojen suojauslisäys
- B. Pumppu
- C. Ulostulosovitin
- D. Kuulanivel
- E. Letkunpää ja mutteri
- F. Suodin
- G. Päänsuojus
- H. Vuonsäätö
- I. Ohjekirja

### Johdanto

Hozelockin Cyprio Aquaforce -pumppu toimii elektronisesti ja on suunniteltu pumppaamaan jopa halkaisijaltaan 10 mm:ä olevia kiinteitä hiukkasia minimaalisella esisiivilän huollolla. Tämän tyyppiset pumput ovat erityisen käytännöllisiä veden pumppaamiseksi ulkoisiin suodattimiin tai käytettäväksi korkeavirtauksiin vesiputouksiin tai vesivirtasovelluksiin, joissa on olennaista huoltomäärän minimointi. Pumppu ei käytä öljyä tai rasvaa liukasteena, ja sitä voi käyttää turvallisesti altaissa, joissa on kaloja tai kasveja. Moottori koostuu suljetusta staattorista ja vesijäähdytetystä roottorista. Kaikki elektroniset komponentit on eristetty vedestä.

### HUOMIO AUTOMAATTIKATKAISU

Pumpun kestoiän pidentämiseksi ja vioittumisen estämiseksi siihen on asennettu automaattinen lämpökatkaisin. Katkaisin pysäyttää pumpun sen ylikuumentessa. Jos näin käy, katkaise pumpun virta päävirtalähteestä. Tarkista syy. Syynä on tavallisesti pumpun syöttöaukon tukkiva tai juoksupyörän toimintaa estävä lika. Poista esteet ja anna pumpun jäähtyä. Kytke sitten pumpun virta uudelleen.

### Yleiset Turvallisuusohjeet

1. Tämä pumppu on tarkoitettu käytettäväksi vain lammissa. Käytä pumppua vain lammen suodinjärjestelmissä, suihkulähteissä, vesiputouksissa jne. Sitä ei saa käyttää mihinkään muuhun tarkoitukseen (esim. uima-altaissa, kylpyhuoneissa, keskuslämmitysjärjestelmissä



jne.). Tuotteen käyttäminen muissa sovelluksissa saattaa aiheuttaa vamman tai tuotevaurion.

- 2. Tärkeää** – Tätä laitetta voi käyttää vain vastuullinen aikuinen, joka osaa käyttää laitetta turvallisesti ja joka ymmärtää siihen liittyvät riskit. Laitetta tulee käyttää ja säilyttää lasten ja henkilöiden, joilla ovat rajoittuneita fyysisesti, henkisesti tai aistillisesti, ulottumattomissa.
- 3. VAROITUS:** Irrota aina kaikkien laitteiden johdot virtalähteestä ennen kuin laitat kätesi veteen, kun laitteistoa asennetaan, korjataan, huolletaan tai käsitellään. **Älä upota johdon pistokepäätä veteen.**
- 4.** Älä koskaan nosta pumppua sähköjohdosta, ettei se vioitu. Suosittelemme nostonarun kiinnittämistä imu-suotimen päällä olevaan kahvaan, kun pumppu asennetaan syvälle veteen.
- 5.** Älä käytä tai säilytä pumppua pakkasessa.
- 6.** Suojaa pumppu suoralta auringonvalolta. Suora auringonvalo saattaa aiheuttaa moottorin ylikuumentumisen.
- 7.** Älä koskaan anna pumpun käydä kuivana.
- 8.** Älä käytä pumppua, ellei suodin ole kunnolla paikallaan. Jos pumppua käytetään ilman suodinta, sen takuu saattaa mitätöityä.
- 9. HUOMIO:** tuotetta ei saa käyttää vedessä, jonka lämpötila on yli 35 °C.
- 10. HUOMIO:** älä käytä tuotetta, jos sähköjohdossa tai moottorissa on vaurioita. Sähköjohtoa ei voida vaihtaa, koska se on kiinnitetty pysyvästi moottorikoteloon, ja siksi se on hävitettävä paikallisten säädösten mukaisesti.
- 11.** Jos asut kovan veden alueella (veden kalkkikivi- tai kalkkivivipitoisuus on korkea), pumppu, roottoriyksikkö ja moottorin sisätilat tulee puhdistaa säännöllisesti (ks. HUOLTO).
- 12.** Käytä ainoastaan tätä tuotetta varten suunniteltuja lisälaitteita. Muiden lisälaitteiden käyttö saattaa
- 13.** Tämä pumppua ei ole tarkoitettu käytettäväksi suola- tai meriveden kanssa.
- 14.** Näiden pumppujen maksimikäyttökorkeuden saat selville ohjeiden lopussa olevasta taulukosta.

## Sähköliitännät

- 1. VAROITUS:** irrota kaikki lamassa olevat laitteet virtalähteestä ennen käsien työntämistä veteen välineitä asennettaessa, korjattaessa, huollettaessa tai käsiteltäessä.
- 2.** Tarkista, että yksikköön merkitty jännite vastaa verkon jännitettä.
- 3.** Pumppu toimitetaan varustettuna 10 metrin 3-säikeisellä sähkökaapelilla, joka on kiinnitetty moottoriin pysyvästi ja suojattu. Sähkökaapelia ei voida vaihtaa. Jos kaapeli

vioittuu, pumppua ei saa enää käyttää.

Tuotteen mukana toimitettu pistoke ei ole vesitiivis, ja se on asetettava kuivaan vesitiiviiseen koteloon.

- 4.** 10 mA:n tai 30 mA:n vikavirtasuojakytkin täytyy liittää virtalähteeseen.
- 5.** Asennus on tehtävä paikallisten sähkömääräysten mukaisesti, mikä saattaa merkitä kaapelin suojaamista muovi- tai metalliputkella.
- 6. VAROITUS:** tämä laite on liitettävä maadoitettuun virtalähteeseen.
- 7.** Pumpun kaapeli (ja jatko-kaapeli) on asetettava paikkaan, jossa se on suojattu vioittumiselta, etenkin, jos se voi joutua kosketuksiin puutarhavälineiden (ruohonleikkureiden, hankojen jne.), lasten ja kotieläinten kanssa.

## Asentaminen

**HUOMAUTUS:** Kun laitetta käytetään amfibisesti, kuivan pumpun ON OLTAVA vaakatasossa kuvan mukaisesti.

Kuva. 2 & 3

## Pumpun Kokoaminen ja Asentaminen - Upokäyttö

- 1.** Avaa suotimen kummassakin päässä olevat pidikkeet ja avaa suodin (kuva 1 – f).
- 2.** Poista pienten kalojen suojauslisäys (Kuva 1-A).
- 3.** Poista ja pura kuulanivel, letkunpää ja vuonsäädin (kuva 1 – d, e ja h).
- 4.** Poista sähköjohto ja avaa se kerältä.
- 5.** Varmista, että pumpun ulostulo on kiinnitetty ulostulosovittimeen (kuva 1 – c). Sijoita pumppu asennusalueelle ja varmista, että sovitinkappale sopii hyvin suotimen alaosaan oleviin ulokkeisiin (kuva 4).

**Huomaa:** Adapterin tulee olla suunnattu häkin alaosaan olevaan pistorasiaan (kuva 5).

- 6.** Aseta sähköjohto suotimen kyljessä olevaan aukkoon. Varmista, että se on oikeassa asennossa niin, ettei kaapeli jää puristuksiin, kun suodin suljetaan. (Kuva 6).  
Asenna pienten kalojen suojauslisäys uudelleen.
- 7.** Sulje suotimen kansi varmistaen, että päänsuojus (kuva 1 – G) on oikeassa paikassa, ja kiinnitä painamalla pidikkeiden keskeltä (kuva 7).
- 8.** Tarkista, että kuulanivelen syöttöliitäntä ja ulostulosohokkeet ovat kohdakkain ja kierrä mutteri lujasti ulostulosovittimen ruuvikierteeseen (kuva 8).
- 9.** Pienellä halkaisijalla varustettujen letkujen käyttäminen rajoittaa veden virtausta liikaa. Mitä suurempi käyttämäsi letkun halkaisija on, sitä paremmin pumppu toimii, etenkin pitkiä letkuja käytettäessä. Tämän laitteen mukana toimitettu letkunpään sopii 25 mm:n (1”),

32 mm:n (1.25") ja 40 mm:n (1.6") letku sekä ¾" BSP-ruuvikierre suihkulähteen lisälaitteiden kiinnittämistä varten. Suosittelemme aina, että tämänkokoisissa pumpuissa käytetään halkaisijaltaan 40 mm:n letkua, kun pumpppua käytetään vesiputouksissa tai suotimen kanssa (kuvat 2 ja 3). Kun olet valinnut haluamasi letkunhalkaisijan, leikkaa letkunpästä pois letkun halkaisijaa pienemmät portaavat, ettei virtaus heikkene (kuva 9). Kiinnitä riittävästi pitkä letku letkunpäähän, kiristä sopivalla letkunkiristimellä ja aseta letkun ulostulopää haluttuun paikkaan.

10. Kierrä letkunpää suoraan kuulanivelen ulostulokohokkeeseen (kuva 10). Kuulaniveltä voidaan kiertää, ettei letku osoita pumppuun päin.

### **Pumpun sijainti lammessa**

12. Parhaat tulokset saadaan asettamalla pumppu lammen syvimpään kohtaan. Näin vesi pääsee kiertämään parhaiten lammessa, ja kun pumpppua käytetään suodinpumppuna, sen kiintojätteiden käsittelykyky on parhaimmillaan.

Parhaat tulokset saadaan, jos pumpppua ei aseteta suoraan lammen pohjaan. Suosittelemme pumpun asentamista tasaiselle alustalle, jonka pinta on noin 30 cm:n korkeudella lammen pohjasta. Tällöin pumppu ei pääse imemään likaa suoraan lammen pohjasta ja lampeen jää riittävästi vettä, jos sitä pääsee vahingossa vuotamaan (kuva 11).

Älä koskaan nosta pumpppua sähköjohtoista, ettei se vioitu. Suosittelemme nostonarun kiinnittämistä imusuotimen päällä olevaan kahvaan, kun pumpppu asennetaan syvälle veteen.

### **Pienten kalojen suojauslisäys**

12. Jos altaassasi on kaloja tai muita eläimiä, ne saattavat lisääntyä tiettyyn vuodenaikaan. Silloin poikaset saattavat olla niin pieniä, että ne joutuvat pumpun sisälle. Tämän minimoimiseksi Aquaforce-pumpuissa on ainutlaatuinen pienten kalojen suojauslisäys, joka vähentää sisäänoton siivilän reikäkokoa 2 mm:iin. Se auttaa kaloja niiden elämän kriittisillä hetkillä. Jos haluat käyttää tätä ominaisuutta, laita lisäyksen neljä jalkaa vastaavalle alueelle alemmassa häkissä kuvan 12 mukaisesti ja varmista, että lisäys on oikein päin. Sulje häkin yläosa ja kiinnitä liittimet. Kun lisäys on käytössä, joudut ehkä tyhjentämään siivilähäkin useammin. Kun kalat tai muut eläimet ovat kasvaneet riittävän suuriksi, voit poistaa lisäyksen pumpun häkistä ja palauttaa siivilän koon tavalliseen 10 mm:n kokoonsa.

## **Vuonsäätimen Käyttö**

Vuonsäädöllä (kuva 1 - h) voidaan vaihdella pumppuun pääsevän veden määrää. Vaihtoehtoisesti sillä voidaan liittää pumppuun toinen syöttöliitäntä, kuten satelliittisuodin tai keräyslaitte. Vuonsäätöä ei saa käyttää silloin, kun pumpppua käytetään maan

päällä.

1. Avaa suodin ja poista päänsuojus (kuva 1 - g).
2. Sulje vuonsäädin kiertämällä ulko-osaa, kunnes nuolet ovat kohdakkain.
3. Kierrä vuonsäädin lopuksi pumpun syöttöliitäntään kohdistamalla vuonsäätimen nuolet pumppukammion yläosan keskellä olevaan nuoleen (kuva 13).
4. Sijoita pumppu suotimeen. Varmista, että ulostulosovittimen reiät kohdistuvat suotimen alaosaan oleviin ulokkeisiin ja että vuonsäätimen kahva on suotimen ulkopuolella (kuva 14).
5. Vuonsäätimenä käyttöä varten kierrä päänsuojus vuonsäätimen vapaseen päähän.
6. Kierrä kahva haluttuun asentoon. Tämä vaihtelee vuonsäätimen aukon koko. Kahvan nuoli kohdistetaan suotimen yläosaan olevaan osoittimeen. Kun nuolen kärkipää on kohdakkain suotimen yläosan osoittimen kanssa, se on merkki minimivuosta. Kun nuolen leveä pää on kohdakkain osoittimen kanssa, se on merkki maksimivuosta (kuvat 14).
7. Sijoita kaapeli aukkoon (katso kohta 6 osasta Käyttö upotettuna), sulje suotimen kansi ja kiinnitä pidikkeet.
8. Liitä toisen syöttöliitäntän käyttöä varten sopivan pituinen letku letkunpäähän, jonka halkaisija on leikattu sopivan kokoiseksi, ja kierrä se vuonsäätimen vapaseen päähän päänsuojuksen tilalle (kuva 15).
9. Letkun toinen pää voidaan liittää satelliittisuotimeen (kuva 17) (saatavissa varaosana Hozelockilta) tai keräyslaitteeseen (kuva 16).
10. Kiertämällä vuonsäätimen kahvaa satelliittisuotimen tai keräyslaitteen läpi tulevan veden määrää voidaan vaihdella.

## **Pumpun Asentaminen - Maanoäällinen**

Tätä pumpppua voidaan käyttää maan päällä (ts. sitä voidaan käyttää upottamatta).

**VAROITUS!** Varmista, ettei pumppuun pääse ilmaa eikä vesi pääse loppumaan, muuten pumppu vaurioituu!

**VAROITUS!** Irrota aina kaikkien laitteiden johdot virtalähteestä ennen kuin laitat kätesi veteen, kun laitteistoa asennetaan, korjataan, huolletaan tai käsitellään.

**HUOMAA:** tämä pumppu ei täyty itsestään. Imuletku ja pumppu on täytettävä vedellä ennen virran kytkemistä päälle.

1. Avaa suotimen kummassakin päässä olevat pidikkeet, avaa suodin ja poista koko sisältö.
2. Kierrä ulostulosovitin irti pumpun ulostulosta ja sijoita se suotimen alaosaan ulokkeisiin (kuva 18)

- Aseta pumppu veden pinnan alapuolelle lähelle lammen reunaa, jotta vesi pääsee virtaamaan pumppauskammioon (ei itseimevä) (kuva 19).
- Leikkaa 2 letkunjohdot halutunkokoisiksi (katso kohta 9 osasta Käyttö upotettuna). Liitä sopivanpituisen letku kuhunkin letkunjohdot ja kiinnitä ne sopivilla letkunjohdotimilla.
- Upota syöttöletku vedenpinnan alapuolelle ja varmista, että koko letku täyttyy. Kierrä letkunjohdot pumppun syöttöliitäntään ja varmista vuotamattoman tiivisteiden syntyminen pakkauksessa olevalla aluslevyllä (kuva 20).
- Kiinnitä ulostuloletku pumppun ulostuloon kiertämällä letkunjohdot. Varmista vuotamattoman tiivisteiden syntyminen pakkauksessa olevalla aluslevyllä (kuva 21).
- Tarkista, että pumppukammio ja letku ovat täynnä vettä ja kytke pumppu päälle. Pumppu voidaan nyt siirtää vedestä sen maanpäälliseen käyttöpaikkaan varmistaen samalla, että letkun syöttöpää pysyy veden alla.
- Jotta pumppu ei tukkeudu, liitä suodin syöttöletkun syöttöpäähän toisella letkunjohdolla.
- Kun pumppua käytetään maan päällä, se on suojattava suoralta auringonvalolta. Suora auringonvalo saattaa aiheuttaa moottorin ylikuumentumisen.
- Kuulaniveltä ei ole suunniteltu käytettäväksi veden yläpuolella.

## Huolto

Hozelock Cyprion Aquaforce-pumppujen huolto käy nopeasti ja helposti. Voit pidentää pumppusi käyttöikä ja pitää sen huippukunnossa noudattamalla seuraavia huolto-ohjeita.

**Huomio:** Irrota KAIKKI lamassa olevat laitteet virtalähteestä ennen käsien työntämistä veteen tai huollon aloittamista.

- Kun pumppu on vasta asennettu, sen oikea toiminta tulee tarkistaa päivittäin.
- Jos huomaat tehon heikkenemistä (hidas virtaus), puhdista suodin. Puhdistusaihe vaihtelee lammen veden tilasta riippuen. Kesällä se voidaan joutua puhdistamaan joka viikko. Suodin puhdistetaan avaamalla pidikkeet ja poistamalla pumppu. Suodin voidaan sitten pyyhkiä puhtaaksi reikiä tukkivista roskista ja pestä puhtaalla vedellä. Tarkista myös, etteivät pumppukammio ja roottori ole tukkeutuneet.
- Pumppu, roottoriyksikkö mukaan lukien, tulee purkaa vähintään kerran vuodessa seuraavassa kuvatulla tavalla ja kaikki osat tulee pestä puhtaalla vedellä. Vaihda kuluneet tai rikkoutuneet osat.

## Pumppun purkaminen & kokoaminen

### (6000 & 8000) – Kuvat 22 & 24

- Sammuta pumppu ja poista siivilähäkki yllä kuvatulla tavalla. Poista pumppu.
- Varmista, että pumppu on jäähtynyt ennen kuin purat sen.
- Ruuvaa irti 4 posidrive-ruuvia (a) kammioista.
- Vedä pumppun kammio (b) varovasti ja suoraan pois moottorin (e) luota.
- Vedä roottorikokoonpano (c) pois moottorista. Tärkeää! Ole erityisen varovainen ettet pudota roottorikokoonpanoa.
- Pese kaikki komponentit puhtaalla vedellä. Älä käytä pesuaineita tai muita kemiallisia puhdistusaineita.
- Varmista, että O-renkas (d) on paikoillaan (kuvat 24a & 24b).
- Aseta roottorikokoonpano takaisin paikoilleen moottoriin. Varmista, että siipipyörän takana olevan laatan reiät osuvat moottorissa oleviin nastoihin (kuvat 24c & 24d).
- Aseta pumppun kammio takaisin paikoilleen. Käännä kammioita, kunnes ruuvireiät ovat paikallaan, ja kiinnitä ruuvit uudelleen. Varo, ettet työnnä muttereita moottoriin (kuva 24e).
- Palauta pumppu siivilähäkkin.

### Pumppun purkaminen & kokoaminen (12000 & 15000) – Kuvat 23 & 25

- Sammuta pumppu ja poista siivilähäkki yllä kuvatulla tavalla. Poista pumppu.
- Varmista, että pumppu on jäähtynyt ennen kuin purat sen.
- Ruuvaa irti 4 posidrive-ruuvia (a) kammioista.
- Käännä ja vedä pumppun kammioita (b) suoraan pois moottorin (e) luota.
- Vedä roottorikokoonpano (c) pois moottorista. Tärkeää! Ole erityisen varovainen ettet pudota roottorikokoonpanoa.
- Pese kaikki komponentit puhtaalla vedellä. Älä käytä pesuaineita tai muita kemiallisia puhdistusaineita.
- Aseta roottorikokoonpano takaisin paikoilleen moottoriin (kuva 25a). Varmista, että siipipyörän takana olevan laatan reiät osuvat moottorissa oleviin nastoihin (kuva 25b).
- Huomioi, että O-renkaan paikka muodostuu, kun roottori on oikein paikoillaan (kuva 25c). Sovita O-renkas (d) roottorin ylle. Varmista, että O-renkas on oikein paikoillaan roottorin levyn ja moottorin välillä (kuva 25d).
- Aseta pumppun kammio takaisin paikoilleen. Käännä kammioita, kunnes ruuvireiät ovat paikallaan, ja kiinnitä ruuvit uudelleen. Varo, ettet työnnä muttereita moottoriin (kuva 25e).
- Palauta pumppu siivilähäkkin.

## Hoito Talvella

1. Pumppu tulee poistaa vedestä syksyllä.
2. Puhdista pumppu edellä kuvatulla tavalla.
3. Suosittelemme pumpun säilyttämistä vesiämpäriissä talvella. Tämä estää laakereita kuivumasta ja mahdollisesti juuttumasta kiinni. Tämä on erityisen tärkeää, jos pumppua on käytetty kovan veden alueella. Pumpun sisältävää vesiämpäriä tulee säilyttää pakkaselta suojatuissa tiloissa.

## Vianetsintä

**Tärkeää – säilytä tämä osa myöhempiä tarvetta varten.**

### HUONO VEDENTULO PUMPUSTA

1. Tarkista, että suodin on puhdas.
2. Pienellä halkaisijalla varustettu ulostuloletku rajoittaa ulostuloa.
3. Varmista, ettei pumppukammio ole tukossa.
4. Jos pumppua käytetään maan päällä, varmista, ettei kuulaniveltä käytetä ja tarkista, että pakkauksessa olevia aluslevyjä käytetään, kun letkunpäät kiinnitetään pumppuihin.

### PUMPUSTA EI TULE VETTÄ

1. Tarkista, että virta on kytketty.

2. Tarkista sulake, vikavirtasuojakytin ja sähkökaapelit.
3. Tarkista, ettei roottoriosia ole juuttunut, tukkeutunut, viallinen eikä liian kulunut.
4. Tarkista, että suodin on puhdas.
5. Lämpökatkaisin on lauennut. (Katso JOHDANTO)

## Hozelock Cyprion 3+2 Vuoden Takuu

Jos pumppu, roottoriosia mukaan lukien, lakkaa toimimasta 3 vuoden kuluessa ostopäivästä, Hozelock korjaa tai vaihtaa sen uuteen maksutta harkintamme mukaisesti, elleimme katso, että sitä on vioitettu tai käytetty väärin. Tämä 3 vuoden takuu voidaan pidentää 5 vuoteen rekisteröimällä se osoitteessa <http://register.hozelock.com>.

Takuu ei kata onnettomuuksien eikä väärän asennuksen tai käytön aiheuttamia vikoja. Takuu rajoittuu viallisen pumpun vaihtamiseen uuteen.

Takuuta ei voi siirtää toiselle. Se ei vaikuta laillisiin oikeuksiisi. Saat takuun edut ottamalla yhteyttä Hozelock Cyprion asiakaspalveluun, josta voidaan pyytää, että pumppu ja ostokuitti lähetetään seuraavaan osoitteeseen.

[www.hozelock.com](http://www.hozelock.com)

## Suorituskyky\*

Aquaforce	1000	2500	4000	6000	8000	12000	15000
Myytävän osan numero	1580	1581	1582	1583A	1584A	1585A	1586A
Jännite (V)	230V 50Hz	230V 50Hz	230V 50Hz	230V 50Hz	230V 50Hz	230V 50Hz	230V 50Hz
Teho (w)	25	30	50	65	95	130	180
Enimmäisvuo, QMax, (l/h)	1000	2500	4000	6000	8000	12000	15000
Suurin nosto, HMax, (m)	1.5	2.1	2.5	3.5	4.0	5.0	5.7
IP-arvo	IPX8	IPX8	IPX8	IPX8	IPX8	IPX8	IPX8
Suurin upotussyvyys (m)	2.5	2.5	2.5	2.5	2.5	2.5	2.5
Korkein vesilämpötila Tmax (°C)	35°C	35°C	35°C	35°C	35°C	35°C	35°C
Käyttö maalla	✗	✗	✗	✓	✓	✓	✓

\*Mitattu ohjatuissa olosuhteissa

Takk for at du har valgt et kvalitetsprodukt fra Hozelock. Du kan være trygg på at dette produktet vil gi deg mange år med pålitelig tjeneste.



### DETTE APPARATET ER FOR BRUK I HUSHOLDNINGEN.

LES DISSE INSTRUKSJONENE NÅYE FØR INSTALLASJON PÅBEGYNNES.

Mangel på overholdelse av følgende merknader kan føre til personskade, produktskade eller tapt fisk.

TA VARE PÅ DENNE VEILEDNINGEN FOR FREMTIDIG REFERANSE.

DU KAN OGSÅ LASTE NED DISSE

INSTRUKSJONENE PÅ <http://www.hozelock.com/customer-service/instruction-leaflets.html>.

## Innhold

(Fig.1) Kontroller at alt innholdet er til stede før installasjonen.

- A. Innsettingsmodus for beskyttelse mot småfisk
- B. Pumpe
- C. Utløpsadapter
- D. Kuleledd
- E. Slangestuss og mutter
- F. Filterbur
- G. Endedekset
- H. Vannmengdekontroll
- I. Instruksjonshåndbok

## Introduksjon

Denne Hozelock Cyprio Aquaforce-pumpen er elektrisk i drift og er uformet for å pumpe faste partikler på opptil 10 mm i diameter med minimalt vedlikehold på forhåndsfiltret. Disse pumpene er spesielt egnet til å pumpe vann til eksterne filtre eller for bruk ved fossefall eller vassdrag der det er viktig at det kreves lite vedlikehold. Pumpen bruker ikke olje eller fett for smøring og kan trygt brukes i dammer med fisk eller planter. Motoren består av en forseglet stator og vannkjølt rotor. Alle elektriske komponenter er isolert fra vannet.

### VIKTIG

#### AUTOMATISK SPERRING

Pumpen har en automatisk termisk overlastbeskyttelse for å gi lang brukstid og forhindre skader. Pumpen slås av hvis den overopphetes. Hvis dette skjer, må du slå av strømmen til pumpen på hovednettforstyringen. Kontroller årsaken. Vanligvis er det rester som blokkerer inntaket i pumpen eller impelleren. Fjern hindringen og vent til pumpen har kjølt seg ned. Slå deretter på pumpen igjen.

## Generelle Sikkerhetsforskrifter

1. Pumpen er utviklet kun for bruk i dammer. Bare bruk denne pumpen i filtersystem for dammer, fontener, vannfall osv. Bruk ikke pumpen til noe annet (bruk for eksempel ikke pumpen i svømmebasseng, på badet, i sentralfyringsssystemet osv.). Hvis du bruker produkter til noe annet, kan det føre til personskader eller produktskader.
2. **Viktig** – Dette apparatet skal kun brukes av en ansvarlig voksen som er i stand til å bruke apparatet på en trygg måte, og som forstår farene som er involvert. Bruk og lagre dette apparatet utilgjengelig for barn og personer med reduserte fysiske, sensoriske eller mentale evner.
3. **ADVARSEL:** Alle apparater i dammen må alltid kobles fra strømtilførselen før du lar hendene dine komme i kontakt med vannet for å installere, reparere, vedlikeholde eller betjene utstyr. Senk aldri enden av kabelen som er plagget i ned i vann.
4. Bruk aldri hovedforsyningskabelen til å løfte pumpen ettersom dette kan forårsake skade. Vi anbefaler at du fester en løftesnor til håndtaket på filterburet når pumpen installeres i dypt vann.
5. Ikke bruk eller oppbevar pumpen i minustemperaturer.
6. Beskytt pumpen fra direkte sollys. Direkte sollys kan overopphete motoren.
7. La aldri pumpen kjøre seg tom.
8. Bruk ikke denne pumpen uten at filterburet er ordentlig festet. Hvis du bruker pumpen uten filterburet, kan garantien ugyldiggjøres.
9. **VIKTIG:** Dette produktet passer ikke i vanntemperaturer over 35 °C.
10. **VIKTIG:** Bruk ikke dette produktet hvis hovedforsyningskabelen eller motoren er skadet på noen som helst måte. Forsyningskabelen kan ikke erstattes ettersom den er permanent innkapslet i motorhuset og derfor må avhendes i henhold til lokale forskrifter.
11. Hvis du bor i et område med hardt vann (vann med mye kalk), bør pumpen, rotorenheten og innsiden av motoren rengjøres med jevne mellomrom (se VEDLIKEHOLD).
12. Bruk bare tilbehør som er utviklet for dette produktet. Hvis du bruker annet tilbehør, kan garantien ugyldiggjøres.
13. Denne pumpen er ikke egnet for bruk med saltvann eller sjøvann.
14. Hvis du vil finne maksimalt trykkhøyde for disse pumpene, kan du se tabellen nederst i disse instruksjonene.

## Elektrisk Forbindelser

1. **ADVARSEL:** Alltid koble fra alle apparater i dammen fra elektrisiteten før du tar hendene i vannet mens utstyret installeres, repareres, vedlikeholdes eller håndteres.
2. Sjekk at spenningen som er merket på enheten, stemmer overens med hovednettforsyningen.
3. Pumpen har 10 m elektriske trelederkabler som er permanent tilkoblet og forseglet til motoren.  
Tilførselskabelen kan ikke skiftes ut. Hvis kabelen ødelegges, må pumpen kasseres.  
Pluggen som følger med dette produktet, er ikke vanntett og må oppbevares i en tørr og vanntett beholder.
4. En reststrømehet på 10 mA eller 30 mA må monteres til hovednettforsyningen.
5. Installasjonen må overholde de nasjonale og lokale koblingsforskriftene som kan omfatte bruk av en plast- eller metalleider til å beskytte kabelen.
6. **ADVARSEL:** Apparatet må kobles til en jordet forsyning.
7. Pumpekabelen (og skjoteledningen) bør plasseres slik at den er beskyttet mot skader, spesielt der det kan være kontakt med hageutstyr (plenklipper, gaffer osv.), barn og husdyr.

## Installasjon

**NB!** Under amfibisk kjøring MÅ den tørre delen av pumpen plasseres horisontalt, som vist.

(Fig. 2 & 3)

## Montering og Installasjon av Pumpen - Undervannsbruk

1. Åpne klipsene på begge ender av filterburet og åpne buret (fig 1 – F).
2. Fjern innsettingsmodusen for beskyttelse mot småfisk (Fig 1–A).
3. Fjern og pakk ut kuleledd, slangestusser og vannmengdekontroll (fig 1– D, E og H).
4. Fjern hovedforsyningskabelen og vikle ut.
5. Pass på at utløpet til pumpen er godt festet til utløpsadapteren (fig. 1 – C). Fest pumpen på monteringsområdet og pass på at adapterstykket passer i posisjonsporene foran på den nedre delen av buret (fig. 4).

**Merk:** Adapteren skal rettes mot uttaket nederst på buret (figur 5).

6. Plasser hovedforsyningskabelen i fordypningen på siden av buret. Pass på at den har rett posisjon slik at kablene ikke sitter fast når buret er lukket. (fig. 6).

Sett tilbake innsettingsmodusen for beskyttelse

mot småfisk.

7. Lukk burlokket og pass på at endedekslet (fig. 1 – G) er i rett posisjon og sikret ved å trykke inn midten av klipsene (fig. 7).
8. Kontroller at kuleleddets innløps- og utløpsnav er på linje og skru fast mutteren på skruvegjengen på utløpsadapteren (fig. 8).
9. Bruk av slanger med liten diameter fører til omfattende restriksjoner av vannflyten. Jo større diameter slangen du bruker, har, jo bedre vil pumpens ytelse være, spesielt når slangen er lang. Slangestussen som følger med denne enheten, passer slanger på 25 mm, 32 mm og 40 mm samt 3/4 tommers BSP-skruvegjenger for å feste fontenetilbehør. Vi anbefaler alltid at pumper av denne størrelsen bør bruke slanger med en diameter på 40 mm når du bruker pumpen som en vannfallpumpe eller i kombinasjon med et filter (fig. 2 og 3). Når du har valgt ønsket slangediameter, kan du kutte av gjengene på slangestussen som er mindre enn slangediameteren for å eliminere restriksjoner (fig. 9). Koble en passende slangelengde til slangestussen og fest den med en passende slangeklips. Plasser utløpsenden til slangen i ønsket posisjon.
10. Skru slangestussen direkte på utløpsnavet på kuleleddet (fig. 10). Kuleleddet kan roteres slik at slangen kan styres vekk fra pumpen

## Plassering av dampumpe

11. For å få best mulig resultat bør pumpen plasseres i den dypeste delen av dammen. Dette vil gi best sirkulasjon av vannet i dammen, og når pumpen brukes som en filtreringspumpe, maksimeres partikkelhåndteringsfunksjonen.

For å få best mulig resultat bør pumpen ikke plasseres direkte på bunnen av dammen. Vi anbefaler at pumpen installeres på en flat plattform som er hevet ca. 3000 mm over bunnen av dammen. Dette forhindrer at pumpen suger skitt direkte fra bunnen og sikrer også at det er godt vann i dammen hvis vannet i dammen ved et uhell skulle lekke (se fig. 11).

Bruk aldri hovedforsyningskabelen til å løfte pumpen ettersom dette kan forårsake skade. Vi anbefaler at du fester en løftesnor til håndtaket på filterburet når pumpen installeres i dypt vann.

## Innsettingsmodus for beskyttelse mot småfisk

12. Hvis du har fisk eller andre dyr i dammen, er det perioder i året hvor de kan yngle. På dette tidspunktet kan fiskeynglene være små og bli dratt inn i pumpen. For å minimere muligheten for dette har pumper i Aquaforce-serien en unik liten innsettingsmodus for fiskebeskyttelse, noe som reduserer innløpsfilterets hullstørrelse ned til 2 mm på dette avgjørende tidspunktet i fiskenes livssyklus. Hvis du vil bruke denne

funksjonen sett innsettingsmodusens fire ben inn i tilsvarende område i det nedre buret, som vist i figur 12, og sikre at innsettingsmodusen er riktig vei. Lukk toppen av buret, og fest klipsene. Når innsettingsmodusen er i bruk, må du kanskje fjerne blokkeringer i filterburet oftere. Når fisk eller andre dyr har vokst til en tilstrekkelig størrelse kan du fjerne innsettingsmodusen fra pumpeburet og gå tilbake til den maksimale størrelse på 10 mm på filteret.

## Bruke Vannmengdekontrollen

Vannmengdekontrollen (fig. 1 – h) kan variere etter hvor mye vann som kommer inn i pumpen. Den kan også brukes til å koble til enda et innløp til pumpen, som et satellittfilter eller en skummer. Ikke bruk vannmengdekontrollen når pumpen brukes på amfibibøys måte.

1. Åpne buret og fjern endedeckslet (fig. 1 – g).
2. Lukk vannmengdekontrollen ved å rotere den ytre delen til pilene er justert på linje.
3. Fest vannmengdekontrollen til pumpeinnløpet og juster pilene på vannkontrollen på linje med pilen i midten på toppen av pumpekammeret (fig. 13).
4. Plasser pumpen i buret. Pass på at sporene i utløpsadapteren er justert med sporene nederst på buret og at grepet på vannmengdekontrollen er på utsiden av buret (fig. 14).
5. For å bruke som en vannmengdekontroll, må du skru enden av endedeckslet til den ledige enden av vannmengdekontrollen.
6. Roter grepet til ønsket posisjon. Dette varierer åpningen på vannmengdekontrollen. Pilen på grepet justeres med pekeren på utsiden av toppburet. Når den spisse enden av pilen er justert med pekeren på utsiden av filterburet, angir det minimal flyt. Når den brede enden av pilen er justert med pekeren, angir det maksimal flyt (se fig. 14).
7. Plasser kabelen i fordypningen (se punkt 6 under Undervannsbruk), lukk burlokket og fest klipsene.
8. Hvis du vil bruke enda et innløp, kan du koble til en passende slangelengde til slangestussen som er kuttet til en passende diameter, og feste den til den ledige enden av vannmengdekontrollen i stedet for endedeckslet (fig. 15).
9. Den andre slangeenden kan kobles til et satellittfilter (fig. 17) (reservedel fra Hozelock) eller til et skimmer (fig. 16).
10. Når du roterer grepet til vannmengdekontrollen, kan du variere vannmengden som kommer gjennom satellittfilteret eller skimmeret.

## Pumpeinstallasjon - Amfibio

Denne pumpen har amfibiefunksjon (dvs. at den kan brukes når den ikke er under vann).

**ADVARSEL!** Pass på at enheten ikke tar ikke luft eller kjører seg tom, ellers kan pumpen bli ødelagt!

**ADVARSEL!** Alle apparater i dammen må alltid kobles fra strømtilførselen før du lar hendene dine komme i kontakt med vannet for å installere, reparere, vedlikeholde eller betjene utstyr.

**MERKNAD:** Pumpen fyller seg ikke selv. Sugelangsen og pumpen må fylles med vann før du slår den på.

1. Åpne klipsene på begge ender av filterburet, åpne buret og fjern alt innholdet.
2. Skru løs utløpsadapteren fra pumpeutløpet og plasser den i sporene nederst på buret (fig. 18).
3. Plasser pumpen under vannoverflaten nær siden av dammen slik at vannet kan strømme inn i pumpekammeret (fig. 19).
4. Kutt to slangestusser til passende størrelse (se punkt 9 under Undervannsbruk). Fest en passende slangelengde til hver av slangestussene, og fest med passende slangeklips.
5. Senk innløpsslangen under vannoverflaten slik at hele slange fylles. Skru fast slangestussen til pumpeinnløpet og kontroller at forseglingen er vanntett med den vedlagte skiven (fig. 20).
6. Fest utløpsslangen til pumpeutløpet ved å skru på slangestussen. Kontroller at forseglingen er vanntett med den vedlagte skiven (fig. 21).
7. Kontroller at pumpekammeret og slangen er full av vann, og slå på pumpen. Du kan nå fjerne pumpen fra vannet og plasseres for amfibiebruken. Pass på at innløpsenden av slangen forblir under vann.
8. Du kan forhindre at pumpen blir tilstoppet ved å koble buret til innløpsenden av innløpsslangen med en annen slangestuss.
9. Når du bruker pumpen på amfibisk måte, må du beskytte pumpen fra direkte sollys. Direkte sollys kan overopphete motoren.
10. Kuleleddet er ikke beregnet på bruk utenfor vann.

## Vedlikehold

Hozeblock Cyprios Aquaforce-pumper er utviklet for å gi rask og enkel vedlikehold. Du kan forlenge pumpens levetid og holde den i topp stand ved å følge disse vedlikeholdsprosedyrene:

**Advarsel:** Alltid koble fra ALLE apparater i dammen fra elektrisiteten før du tar hendene i vannet eller begynner vedlikehold.

1. Når pumpen er nyinstallert, bør du sjekke pumpen hver dag for å kontrollere at den fungerer som den skal.
2. Hvis du legger merke til en reduksjon i prestasjonen (lite flyt), bør du rengjøre filterburet. Rengjøringsintervallene varierer med kvaliteten på vannet i dammen. Dette kan være så ofte som hver uke i sommermånedene. Hvis du vil rengjøre

filterburet, åpner du klipsene og fjerner pumpen. Du kan deretter tørke vekk rester som blokkerer filterhullene og vaske med rent vann. Du bør også sjekke at pumpekammeret og rotoren ikke blokkeres av rester.

3. Minst én gang i året bør du demontere pumpen helt, inkludert rotorenheten som beskrevet nedenfor, og vaske alle komponentene i rent, ferskt vann. Skift ut slitte eller ødelagte deler.

#### **Demontering og montering av pumpen (6000 og 8000) – Figur 22 og 24**

1. Slå av pumpen og fjern filterburet som anvist over, og fjern pumpen.
2. Kontroller at pumpen er avkjølt før du fjerner den.
3. Skru løs de fire Pozidrive-skrueene (a) fra kammeret.
4. Trekk forsiktig pumpekammeret (b) rett vekk fra motorlegemet (e).
5. Trekk rotorenheten (c) ut av motorlegemet. Viktig Vær ekstra forsiktig slik at du ikke slipper rotorenheten ned.
6. Vask alle komponentene i rent vann. Ikke bruk vaskemidler eller andre kjemiske rengjøringsmidler.
7. Kontroller at o-ringen (d) er i sporet (figur 24a og 24b).
8. Sett rotorenheten inn i motorlegemet, og sikre at hullene i platen bak skovlhjulet rettes inn mot pinnene på motorlegemet (figur 24c og 24d).
9. Sett tilbake pumpekammeret. Vri kammeret for å justere skruehullene, og sett tilbake skrueene forsiktig så du ikke presser ut mutterne i motorlegemet (figur 24e).
10. Sett tilbake pumpen i filterburet.

#### **Demontering og montering av pumpen (12000 og 15000) – Figur 23 og 25**

1. Slå av pumpen og fjern filterburet som anvist over, og fjern pumpen.
2. Kontroller at pumpen er avkjølt før du fjerner den.
3. Skru løs de fire Pozidrive-skrueene (a) fra kammeret.
4. Roter og trekk pumpekammeret (b) rett ut fra motorlegemet (e).
5. Trekk rotorenheten (c) ut av motorlegemet. Viktig Vær ekstra forsiktig slik at du ikke slipper rotorenheten ned.
6. Vask alle komponentene i rent vann. Ikke bruk vaskemidler eller andre kjemiske rengjøringsmidler.
7. Sett rotorenheten inn i motorlegemet (figur 25a), og sikre at hullene i platen bak skovlhjulet rettes inn mot pinnene på motorlegemet (figur 25b).
8. Vær oppmerksom på at sporet på o-ringen dannes når rotorenheten er riktig plassert (figur 25c). Monter o-ringen (d) over rotorenheten. Kontroller at o-ringen er på riktig plassert mellom rotorplaten og motorlegemet (figur 25d).
9. Sett tilbake pumpekammeret. Vri kammeret for å justere skruehullene, og sett tilbake

skruene forsiktig så du ikke presser ut mutterne i motorlegemet (figur 25e).

10. Sett tilbake pumpen i filterburet.

## Vinteromsorg

1. Pumpen bør fjernes fra dammen i løpet av høsten.
2. Rengjør pumpen som beskrevet ovenfor.
3. I løpet av vinteren anbefaler vi at du oppbevarer pumpen i en bøtte med vann. Det er for å forhindre at lageret tørker ut og eventuelt slutter å virke. Dette er spesielt viktig hvis du har brukt pumpen i et område med hard vannkvalitet. Vannbøtten med pumpen bør oppbevares på et frostbeskyttet sted.

## Feilsøking

**Viktig - Oppbevar denne delen for referanse.**

### **LITE FLYT FRA PUMPEN**

1. Pass på at filterburet er rent.
2. Et utløpsrør med liten diameter vil begrense utløpsflyten.
3. Pass på at det ikke er blokkering i pumpekammeret.
4. Hvis pumpen brukes amfibisk, må du sørge for at kuleleddet ikke blir brukt, og sjekke at skivene som følger med blir brukt når slangestussen festes til pumpene.

### **IKKE FLYT FRA PUMPEN**

1. Kontroller at strømmen er på.
2. Kontroller sikringen, reststrømenheten og koblingen.
3. Kontroller at rotorenheten ikke sitter fast, er blokkert, skadet eller viser tegn på slitasje.
4. Pass på at filterburet er rent.
5. Den termiske overlastbeskyttelsen er utløst (se INNLEDNING).

## Hozelock Cyprio 3+2 -Årsgaranti

Hvis denne pumpen, unntatt rotorenheten, blir ubrukelig innen tre år etter kjøpsdatoen, vil vi reparere eller bytte den vederlagsfritt, med mindre vi mener at den er blitt ødelagt eller misbrukt. Hvis du vil utvide denne 3-årsgarantien til 5 år, kan du registrere deg på <http://register.hozelock.com>.

Vi påtar oss intet ansvar for skader som oppstår på grunn av ulykker, feil installasjon eller bruk. Ansvar begrenses til utskiftning av defekt pumpe. Garantien kan ikke overføres. Den påvirker ikke andre lovbestemte rettigheter. Hvis du skal gjøre bruk av garantien, må du først ta kontakt med Hozelock Cyprios kundesøtte. Det kan hende at de ber deg sende inn pumpen som kjøpsbevis direkte til følgende adresse:

[www.hozelock.com](http://www.hozelock.com)



Aquaforce	1000	2500	4000	6000	8000	12000	15000
Salgbart delenummer	1580	1581	1582	1583A	1584A	1585A	1586A
Spending (V)	230V 50Hz	230V 50Hz	230V 50Hz	230V 50Hz	230V 50Hz	230V 50Hz	230V 50Hz
Effekt (w)	25	30	50	65	95	130	180
Maks. kapacitet, QMax, (l/t)	1000	2500	4000	6000	8000	12000	15000
Maks. løftehøjde, HMax, (m)	1.5	2.1	2.5	3.5	4.0	5.0	5.7
IP-klassifisering	IPX8	IPX8	IPX8	IPX8	IPX8	IPX8	IPX8
Maks. undervannsdybde (m)	2.5	2.5	2.5	2.5	2.5	2.5	2.5
Maks. vanntemperatur Tmax (°C)	35°C	35°C	35°C	35°C	35°C	35°C	35°C
Amfibiebruk	✗	✗	✗	✓	✓	✓	✓

\*Målt under kontrollerte forhold

**DK**

Tak, fordi du har valgt et kvalitetsprodukt fra Hozelock. Du kan forvente mange års pålidelig drift fra dette produkt.



**DETTE APPARAT ER KUN TIL BRUG I PRIVATE HUSHOLDNINGER.**

**LÆS DENNE VEJLEDNING GRUNDIGT**

**IGENNEM, FØR INSTALLATION FORSØGES.**

**HVIS DE FØLGENDE ADVARSLER IKKE FØLGES, KAN DET MEDFØRE PERSONSKADE, BESKADIGELSE AF PRODUKTET ELLER TAB AF FISK.**

**GEM DENNE VEJLEDNING TIL SENERE BRUG.**

**DU KAN OGSÅ DOWNLOADE DISSE**

**INSTRUKTIONER FRA <http://www.hozelock.com/customer-service/instruction-leaflets.html>.**

## Indhold

(Fig.1) Kontroller, at alt indhold er til stede før installation.

- A. Indsats til beskyttelse af småfisk
- B. Pumpe
- C. Udløbsadapter
- D. Kugleled
- E. Slangenippel & møtrik
- F. Filterbur
- G. Endestykket
- H. Gennemstrømningskontrol
- I. Betjeningsvejledning

## Introduktion

Hozelock Cyprio Aquaforce-pumpen er el-drevet og designet til at pumpe faste partikler med en diameter

på op til 10 mm med minimal vedligeholdelse af forsyn. Disse pumpetyper er særligt velegnede til at pumpe vand til eksterne filtre eller til brug i anvendelsesformål, som omfatter vandfald eller vandløb med høje gennemstrømninger, og hvor minimal vedligeholdelse er vigtigt. Pumpen anvender ikke olie eller fedt til smøring og kan bruges sikkert i damme med fisk eller planter. Motoren består af en forseglestator og vandkølet rotor. Alle elektriske komponenter er isoleret fra vand.

### OBS!

#### AUTOMATISK AFBRYDER

Pumpen er udstyret med automatisk termisk overbelastningsbeskyttelse, der hjælper med til at sikre den en lang levetid, samt forhindre beskadigelse. Den slukker for pumpen, hvis denne overophedes. Hvis dette sker, skal der slukkes for strømmen ved strømforsyningen til pumpen. Tjek for årsagen hertil. Det vil normalt skyldes nedbrudt materiale, der blokerer pumpens indløb eller skaber forhindring ved skovlhjulet. Fjern forhindringen og vent på, at pumpen køler af igen. Tænd derefter for pumpen igen.

## Generelle Sikkerhedsretningslinier

1. Denne pumpe er kun designet til brug med bassiner. Pumpen må kun bruges til drift af bassinfiltersystemer, vanddisplays, vandfald etc. Pumpen må ikke bruges til anden brug (dvs. den må ikke bruges i svømmebassiner, badeværelser, centralvarmesystemer etc). Hvis produktet bruges til andre applikationer, kan det medføre personskade eller produktbeskadigelse.
2. **Vigtigt** - dette apparat må kun betjenes af eller under opsyn af en ansvarlig voksen, som er i stand

til at benytte apparatet på sikker vis, og som er indforstået med de farer der er forbundet hermed.

Brug og opbevar dette apparat utilgængeligt for børn og personer med reducerede fysiske, sensoriske og mentale færdigheder..

- ADVARSEL:** Man skal altid tage stikket ud af kontakten eller afbryde alt bassinudstyr fra forsyningsnettet, før man stikker hænderne ned i vandet, når udstyret installeres, repareres, vedligeholdes eller håndteres. **Nedsænk aldrig stikenden i vand.**
- Strømkablet må aldrig bruges til at løfte pumpen, da dette kan forvolde skade. Vi anbefaler, at der monteres en løftesnor på håndtaget i bunden af sifilterburet, når pumpen installeres i dybt vand.
- Pumpen må ikke drives eller efterlades i frostvejr.
- Beskyt pumpen mod direkte sollys. Direkte sollys kan overophede motoren.
- Pumpen må aldrig køres tør.
- Pumpen må kun drives, når sifilterburet er monteret korrekt. Hvis pumpen bruges uden sifilterburet, kan det ugyldiggøre garantien.
- OBS!** Dette produkt er ikke velegnet til vandtemperaturer over 35°C.
- OBS!** Dette produkt må ikke bruges, hvis strømkablet eller motoren er blevet beskadiget på nogen måde. Strømkablet kan ikke udskiftes, da det er permanent indkapslet i motorhuset og skal derfor bortskaffes i henhold til lokale forordninger.
- Hvis du bor i et område med hårdt vand (vand med et højt indhold af calcium/kalk), skal pumpe, rotorsamling og den indvendige del af motoren rengøres med jævne mellemrum (Se VEDLIGEHOLD).
- Der må kun bruges tilbehør, der er blevet designet til brug med dette produkt. Brug af andet tilbehør kan ugyldiggøre garantien.
- Denne pumpe er ikke velegnet til brug sammen med salt- eller havvand.
- Der findes oplysninger om det samlede antal pumpehoveder i tabellen i slutningen af disse instruktioner.

## Elektriske Forbindelser

- ADVARSEL:** Man skal altid koble alt udstyr i bassin fra strømforsyningen, før man putter hænderne i vandet, mens udstyret installeres, repareres, vedligeholdes eller håndteres.
- Tjek at spændingen, der er afmærket på enheden, svarer til netforsyningen.
- Pumpen leveres med 10m treleder-kabel, der er permanent tilsluttet og forsejlet til motoren. Strømkablet kan ikke udskiftes. Hvis kablet beskadiges, skal pumpen kasseres. Ledningsstikket, som leveres med dette produkt,

er ikke vandtæt og skal anbringes i en tør, vandtæt indkapsling.

- En 10mA eller 30mA fejlstrømsafbryder (RCD) SKAL monteres til forsyningsnettet.
- Installationen skal overholde de nationale og lokale forskrifter for ledningsføring, der kan omfatte brug af plast- eller metalrør til at beskytte kablet.
- ADVARSEL:** Dette apparat skal tilsluttes til en jordet strømforsyning.
- Pumpekabel (og forlængerkabel) skal placeres og beskyttes således, at de ikke kan blive beskadiget, især ved kontakt med haveredskaber (græsslåmaskiner og gravegrebe) eller børn og husdyr.

## Installation

**BEMÆRK:** Ved amfibiedrift SKAL pumpen på tørsiden placeres vandret som vist.

(Fig. 2 & 3)

## Pumpesamling & Installation – Drift Under Vand

- Åbn clipsene i hver ende af sifilterburet og åbn buret (Fig1 – F).
- Fjern indsatsen til småfisk (Fig 1-A).
- Tag kugleled, slangenippel og gennemstrømningskontrol ud & pak dem ud (Fig 1 – D, E & H).
- Fjern strømkablet og rul det ud.
- Sørg for at pumpeudløbet er fastgjort på udløbsadapteren (Fig 1 – C). Placér pumpen på dens monteringsområde, idet det sikres, at adapterstykket går ind lokaliseri **Bemærk:** Adapteren skal rettes med udløbet vendende ned mod bunden af buret (Fig. 5).
- Placér strømkablet i fordybningen i siden af buret. Sørg for, at det er placeret korrekt, så kablet ikke sidder i klemme, når buret bliver lukket. (Fig 6). Genmonter indsatsen til småfisk.
- Luk burets låg, idet det sikres, at endestykket (Fig 1 – G) er i den korrekte position og fastgør det ved at trykke i midten af clipsene (Fig 7).
- Tjek at kugleleddets indløbs- og udløbsstuds er på linie og skru møtrikken helt fast på udløbsadapterens skruegevind (Fig 8).
- Hvis der bruges en slange med en for lille indvendig diameter, vil det medføre en stor begrænsning af vandgennemstrømningen. Jo større slangens indvendige diameter er, jo bedre vil pumpeydelsen være, især ved lange slangelængder. Den slangenippel, der leveres med enheden, passer til 25mm (1”), 32mm (1,25”) og 40mm (1,6”) slanger, såvel som til et 19,1mm (¾”) BSP-skruegevind

til tilslutning af springvandstilbehør. Vi vil altid anbefale, at en slange med en indvendig diameter på 40mm bruges til pumper af denne størrelse, hvis pumpen skal bruges som vandfaldspumpe eller i kombination med et filter (Fig 2 & 3). Når du har valgt den slangediameter, du ønsker at bruge, skal du afskære de slangenippeltrin, der er mindre end slangediameteren for at undgå strømningsbegrænsning (Fig 9). Sæt en passende længde slange på slangestudsene, fastgør den med en passende slangeklemme og placér slangens udløbsende i den ønskede position.

10. Skru slangesniplen direkte ind kugleleddet udløbsstuds (Fig 10). Kugleleddet kan drejes, så slangen kan vendes væk fra pumpen.

### Bassinpumpeplacering

11. For de bedste resultater skal pumpen placeres i den dybeste del af bassinet. Det vil sikre den bedste vandcirkulation i bassinet og hvis den bruges som filtreringspumpe, vil det maksimere dens tørstofhåndteringskapacitet.

For de bedste resultater skal pumpen ikke placeres direkte på bunden af bassinet. Vi anbefaler, at pumpen installeres på en flad platform, der er i niveau, og som er forhøjet ca. 300mm oven over bassinbunden. Det vil forhindre, at pumpen suger snarvis direkte fra bunden af bassinet og vil også sikre, at der er tilstrækkeligt vand tilbage i bassinet, hvis bassin vandet ved et uheld skulle undslippe (Se fig 11).

Strømkablet må aldrig bruges til at løfte pumpen, da dette kan forvolde skade. Vi anbefaler, at der monteres en løftesnor på håndtaget i bunden af sifilterburet, når pumpen installeres i dybt vand.

### Indsats til beskyttelse af småfisk

12. Hvis du har fisk eller andet dyreliv i din dam, vil der muligvis være perioder i løbet af året, hvor de yngler. På nuværende tidspunkt er fiskeynglen lille og kan blive sugt ind i pumpen. Med henblik på at minimere denne risiko er Aquaforces pumpe serie udstyret med en unik indsats til beskyttelse af småfisk, der reducerer indløbsens hulstørrelse til ned til 2 mm på dette kritiske tidspunkt i fiskenes livscyklus. For at bruge denne funktion skal man isætte indsatsens fire ben i det dertil indrettede område i den nederste del af buret som vist i Fig. 12, og sørge for, at indsatsen vender korrekt. Luk den øverste del af buret, og fikser klipsene. Mens indsatsen stadig er i brug, skal du muligvis fjerne blokeringer fra siburet oftere. Når fiskene eller andet dyreliv har vokset sig til en tilstrækkelig størrelse, kan du fjerne indsatsen fra pumpeburet og returnere størrelsen til maksimumstørrelsen på 10 mm.

## Sådan Anvendes Gennemstrømningskontrollen

Gennemstrømningskontrollen (Fig 1 - h) kan variere den vandmængde, der kommer ind i pumpen. Den kan også bruges til at tilslutte endnu et indløb til pumpen, som fx et satellitfilter eller en overfladesuger. Gennemstrømningskontrollen må ikke bruges, hvis pumpen anvendes amfibisk.

1. Åbn buret og fjern endestykket (Fig 1 - g).
2. Luk gennemstrømningskontrollen ved at dreje den yderste del, indtil pilene er ud for hinanden.
3. Skru gennemstrømningskontrollen helt fast på pumpeindløbet, idet pilene på gennemstrømningskontrollen er på linie med pilen i midten af pumpekammerets top (Fig 13).
4. Placér pumpen i buret. Sørg for at rillerne i udløbsadapteren er på linie med ribberne i den nederste del af buret og at gennemstrømningskontrollens greb er udenfor buret (Fig 14).
5. For at bruge den som en gennemstrømningskontrol, skal endestykket skrues på den frie ende af gennemstrømningskontrollen.
6. Drej grebet til den ønskede position. Dette varierer åbningsstørrelsen på gennemstrømningskontrollen. Pilen på grebet skal være på linie med viseren på ydersiden af burets øverste del. Når pilens spidse ende er på linie med viseren på ydersiden af filterburet, angiver det den minimale gennemstrømning. Når den brede ende af pilen er på linie med viseren, angiver det den maksimale gennemstrømning (Se fig 14).
7. Placér kablet i dets fordybning (Se punkt 6 i Drift under vand), luk burets låg og fastgør clipsene.
8. For at bruge endnu et indløb skal en passende længde slange tilsluttes til en slangenippel, der er blevet afskåret til en passende diameter, hvorefter den frie ende af gennemstrømningskontrollen skrues på i stedet for endestykket (Fig 15).
9. Den anden ende af slangen kan tilsluttes til et satellitfilter (Fig 17) (fås som reservedel fra Hozelock) eller til en overfladesuger (Fig 16).
10. Ved at dreje gennemstrømningskontrollens greb kan mængden af vand, der strømmer igennem satellitfilteret eller overfladesugeren, varieres.

## Pumpeinstallation - Amfibisk

Denne pumpe kan anvendes amfibisk (dvs. den kan bruges uden at være nedsænket i vand).

**ADVARSEL!** Sørg for at enheden ikke suger luft ind eller kører tør, da pumpen herved vil blive beskadiget!

**ADVARSEL!** Man skal altid tage stikket ud af kontakten eller afbryde alt bassinudstyr fra

forsyningsnettet, før man stikker hænderne ned i vandet, når udstyret installeres, repareres, vedligeholdes eller håndteres.

**BEMÆRK:** Denne pumpe er ikke selvspændende. Sugelangen og pumpen skal fyldes med vand, før der tændes.

1. Åbn clipsene i hver ende af sifilterburet, åbn buret og fjern alt indhold.
2. Skru udløbsadapteren ud af pumpeudløbet og placér den i ribberne i den nederste del af buret (Fig 18)
3. Placér pumpe under vandoverflade tæt på siden af bassinet, så vandet kan strømme ind i pumpekammeret (Fig 19).
4. Skær 2 slangenipler til den ønskede størrelse (Se punkt 9 under Drift under vand). Tilslut en passende længde slange til hver slangenippel og fastgør den med passende slangeklemmer.
5. Put indløbsslangen ned under vandoverfladen og sørg for, at hele slangen fyldes med vand. Skru slangeniplen fast på i pumpeindløbet og udfør en vandtæt forsegling vha. den medfølgende pakning (Fig 20).
6. Monter udløbsslangen på pumpeudløbet ved at skrue slangeniplen på. Udfør en vandtæt forsegling vha. af den medfølgende pakning (Fig 21).
7. Tjek at pumpekammeret og slangen er fuld af vand og tænd for pumpen. Pumpen kan nu fjernes fra vandet til dens amfibiske driftsposition, idet det sikres, at slangens indløbsende forbliver nedsænket i vand.
8. For at forhindre at pumpen bliver tilstoppet, skal buret tilsluttes til indløbsslangens indløbsende med endnu en slangenippel.
9. Når pumpen anvendes amfibisk, skal den beskyttes mod direkte sollys. Direkte sollys kan overophede motoren.
10. Kugleledet er ikke designet til at blive brugt, når det ikke er i vand.

## Vedligehold

Hozelock Aquaforce-pumpeserien er blevet designet til hurtigt og nemt vedligehold. For at forlænge pumpens levetid og holde den i optimal tilstand, skal denne vedligeholdelsesvejledning følges.

**Forsigtig:** Man skal altid koble ALT udstyr i bassinet fra strømforsyningen, før man putter hænderne i vandet eller starter på vedligeholdelse.

1. Når pumpen er nyinstalleret, skal den tjekkes dagligt for at sikre, at den fungerer korrekt.
2. Hvis du bemærker en ydelsesreduktion (lav gennemstrømning), skal du rengøre sifilterburet. Rengøringsintervaller vil variere alt afhængig af bassinvandets tilstand. Det kan være så ofte som en gang om ugen i sommermånederne. For at rengøre sifilterburet skal clipsene åbnes, hvorefter

pumpen fjernes. Buret kan så tørres rent for nedbrudt materiale, der tilstopper sifilterets huller og vaskes i rent vand bagefter. Du skal også tjekke, at pumpekammeret & rotoren ikke er tilstoppet med nedbrudt materiale.

3. Mindst en gang om året skal pumpen skilles helt ad, inklusiv rotorsamlingen, som beskrevet nedenfor, hvorefter alle komponenter vaskes i rent frisk vand. Udskift slidte og ødelagte dele.

### Adskillelse og samling af pumpen (6000 & 8000) - Fig. 22 og 24

1. Sluk pumpen, og fjern siburet som beskrevet ovenfor, og fjern pumpen.
2. Sørg for, at pumpen er kølet af, før den adskilles.
3. Løsn de fire Posidrive-skrue (a) fra kammeret.
4. Træk pumpekammeret (b) direkte væk fra motorhuset (e).
5. Træk rotorsamlingen (c) ud af motorhuset. Vigtigt! Pas ekstra godt på ikke at tabe rotordelen.
6. Skyl alle komponenterne i rent vand. Benyt ikke rengøringsmidler eller andre kemikalier.
7. Sørg for, at o-ring (d) befinder sig i rillen (Fig. 24a og 24b).
8. Udskift rotorsamlingen i motorhuset, og kontroller, at hullerne i pladen bag propellen passer til stifterne på motorhuset (Fig. 24c og 24d).
9. Genmonter pumpekammeret. Drej kammeret for at justere skruehullerne, og monter skrueerne igen, og pas på ikke at skubbe møtrikkerne ud af motorhuset (Fig. 24e).
10. Returner pumpen til siburet.

### Adskillelse og samling af pumpen (12000 & 15000) - Fig. 23 og 25

1. Sluk pumpen, og fjern siburet som beskrevet ovenfor, og fjern pumpen.
2. Sørg for, at pumpen er kølet af, før den adskilles.
3. Løsn de fire Posidrive-skrue (a) fra kammeret.
4. Roter pumpekammeret (b), og træk det direkte væk fra motorhuset (e).
5. Træk rotorsamlingen (c) ud af motorhuset. Vigtigt! Pas ekstra godt på ikke at tabe rotordelen.
6. Skyl alle komponenterne i rent vand. Benyt ikke rengøringsmidler eller andre kemikalier.
7. Udskift rotorsamlingen i motorhuset (Fig. 25a), og kontroller, at hullerne i pladen bag propellen passer til stifterne på motorhuset (Fig. 25b).
8. Bemærk, at rillen til o-ring (d) dannes, når rotoren er blevet korrekt placeret (Fig. 25c). Monter o-ring (d) over rotoren. Sørg for, at o-ring er korrekt placeret mellem rotorpladen og motorhuset (Fig. 25d).
9. Genmonter pumpekammeret. Drej kammeret for at justere skruehullerne, og monter skrueerne igen, og pas på ikke at skubbe møtrikkerne ud af motorhuset (Fig. 25e).

## 10. Returner pumpen til siburet.

### Vinterpleje

1. Pumpen skal fjernes fra bassinet i løbet af efteråret.
2. Rengør pumpen som beskrevet ovenfor.
3. Vi anbefaler, at pumpen opbevares i en spand vand om vinteren. Det er for at forhindre, at lejerne udtørre og potentielt sætter sig fast. Det er især vigtigt, hvis pumpen er blevet brugt i et område med hårdt vand. Spanden med vand, hvori pumpen er, skal opbevares på et sted, der er beskyttet mod frost.

### Fejlfinding/Problemløsning

**Vigtigt – Gem denne sektion til senere brug.**

#### LAV PUMPEGENNEMSTRØMNING

1. Sørg for, at sifilterburet er rent.
2. Et udløbsrør med en lille indvendig diameter vil begrænse udløbsstrømningen.
3. Sørg for at der ikke er nogen tilstopning inden i pumpekammeret.
4. Hvis pumpen anvendes amfibisk, skal det sikres, at kugleledet ikke bruges og det skal tjekkes, at de medfølgende pakninger bruges, når slangeniplen monteres på pumpen.

#### INGEN PUMPEGENNEMSTRØMNING

1. Tjek at der er tændt for strømforsyningen.
2. Tjek sikring, fejlstrømsafbryder (RCD) og ledningsføring.
3. Tjek at rotorsamlingen ikke sidder fast, er blokeret, beskadiget eller viser tegn på kraftig slitage.
4. Sørg for, at sifilterburet er rent.
5. Den termiske overbelastningsbeskyttelse er blevet udløst. (se INTRODUKTION).

### Hozelock Cyprio 3+2 -Års Garanti

Hvis denne pumpe, eksklusiv rotorsamling, bliver ubrugelig indenfor 3 år efter indkøbsdatoen, vil vi alt efter vor vurdering reparere eller udskifte den gratis, medmindre den efter vor mening er blevet beskadiget eller misbrugt. For at forlænge denne 3 års garanti til 5 år bedes du registrere den på <http://register.hozelock.com>.

Vi påtager os intet ansvar for skader, der skyldes uheld, ukorrekt installation eller brug. Vort ansvar er begrænset til udskiftning af en defekt pumpe.

Denne garanti kan ikke overføres. Den påvirker ikke dine lovmæssige rettigheder. For at gøre brug af garantien skal du først kontakte Hozelock Cyprio Consumer Services (forbrugerservice), som kan bede om at få pumpen tilsendt, sammen med indkøbsbevis, til nedenstående adresse.

[www.hozelock.com](http://www.hozelock.com)

### Ydeevne\*

Aquaforce	1000	2500	4000	6000	8000	12000	15000
Salgbart delenummer	1580	1581	1582	1583A	1584A	1585A	1586A
Volt (V)	230V 50Hz	230V 50Hz	230V 50Hz	230V 50Hz	230V 50Hz	230V 50Hz	230V 50Hz
Effekt (w)	25	30	50	65	95	130	180
Maks. gennemstrømning, QMax, (l/time)	1000	2500	4000	6000	8000	12000	15000
Maks. pumpehøjde, HMax, (m)	1.5	2.1	2.5	3.5	4.0	5.0	5.7
IP-klassificering	IPX8	IPX8	IPX8	IPX8	IPX8	IPX8	IPX8
Maks. nedsænkingsdybde (m)	2.5	2.5	2.5	2.5	2.5	2.5	2.5
Maks. vandtemperatur Tmax (°C)	35°C	35°C	35°C	35°C	35°C	35°C	35°C
Amfibisk brug	✗	✗	✗	✓	✓	✓	✓

\*Målt under kontrollerede forhold

Obrigado por ter escolhido um produto com a qualidade Hozelock, com a garantia de fiabilidade de serviço do produto durante muitos anos.



### O PRESENTE APARELHO DESTINA-SE A USO DOMÉSTICO.

### LEIA ATENTAMENTE ESTAS INSTRUÇÕES ANTES DE INSTALAR O PRODUTO.

O INCUMPRIMENTO DOS AVISOS SEGUINTE PODERÁ RESULTAR EM LESÕES, EM DANOS NO PRODUTO OU NA MORTE DOS PEIXES.

GUARDE ESTAS INSTRUÇÕES PARA CONSULTAS FUTURAS.

PODE TAMBÉM DESCARREGAR ESTAS INSTRUÇÕES EM <http://www.hozelock.com/customer-service/instruction-leaflets.html>.

## Conteúdo

(Fig.1) Verifique se contém todos as peças antes de realizar a instalação.

- A. Inserção de Protecção de Peixe Pequeno
- B. Bomba
- C. Adaptador de descarga
- D. Rótula de engate
- E. Peça de encaixe na mangueira e porca
- F. Caixa do filtro
- G. Tampa da extremidade
- H. Controlo da corrente
- I. Manual de Instruções

## Introdução

Esta bomba Hozelock Cyprio Aquaforce possui acionamento elétrico e foi concebida para bombear partículas sólidas com até 10 mm de diâmetro com manutenção mínima do pré-filtro. Este tipo de bombas é particularmente adequado para bombear água para filtros externos ou para aplicações em quedas de água ou cursos de água de elevado caudal nas quais o fator de baixa manutenção é importante. A bomba não utiliza óleo nem massa lubrificante para lubrificação e pode ser utilizada em segurança em lagos que contêm peixes ou plantas. O motor consiste num estator vedado e num rotor arrefecido por água. Todos os componentes elétricos estão isolados da água.

### ATENÇÃO CORTE AUTOMÁTICO

Para ajudar a assegurar que a sua bomba dure muito tempo e para não sofrer danos, a bomba inclui um elemento de protecção automática contra a sobrecarga térmica. O elemento desliga a bomba em caso de sobreaquecimento. Em tais casos, deve-se desligar a alimentação eléctrica e determinar qual a causa do sobreaquecimento. Geralmente o problema

é causado por detritos que entopem os orifícios de admissão da bomba ou obstruem o impulsor. Remova a obstrução e aguarde algum tempo até a bomba arrefecer. Depois disso, ligue novamente a bomba.

## Directrizes Gerais de Segurança

1. Esta bomba foi concebida para ser utilizada apenas com lagos de jardim. Utilize esta bomba apenas para funcionamento de sistemas de filtração de lagos, atracções aquáticas, cascatas, etc. Não use a bomba para qualquer outro fim (ou seja, não utilize a bomba em piscinas, casas de banho, sistemas de aquecimento central, etc.) A utilização do produto para qualquer outro fim pode resultar em ferimentos ou danificar o aparelho.
2. **Importante** - Este aparelho deve ser utilizado apenas por um adulto responsável capaz de utilizar o aparelho de forma segura e que compreende os perigos envolvidos. Utilize e armazene este aparelho fora do alcance das crianças e de pessoas com capacidades físicas, sensoriais ou mentais reduzidas.
3. **AVISO:** Desligue ou desconecte sempre da rede de alimentação elétrica todos os aparelhos que se encontrem no lago antes de colocar as mãos na água enquanto o equipamento estiver a ser instalado, reparado, revisto ou manejado. **Nunca submerja a extremidade ligada do cabo na água.**
4. Não usar nunca o cabo de alimentação para elevar a bomba, pois que o cabo poderá sofrer danos. Recomendamos o encaixe de um cabo de elevação à pega da caixa do coador caso a bomba deva ser instalada em águas fundas.
5. Não utilize a bomba nem a deixe ficar exposta a condições de congelamento.
6. Proteja a bomba contra a luz solar directa. Esta pode sobreaquecer o motor.
7. Nunca permita que a bomba funcione em seco.
8. Não ponha a funcionar a bomba caso a caixa do coador não esteja devidamente acoplada. A utilização da bomba sem a caixa do coador poderá invalidar a sua garantia.
9. **ATENÇÃO:** Este produto não é próprio para utilizar em águas a temperaturas de mais de 35° C.
10. **ATENÇÃO:** Não fazer funcionar este produto caso o cabo de ligação à fonte de alimentação ou o motor tenha sofrido qualquer tipo de danificação. O cabo de alimentação não pode ser substituído pois está permanentemente encaixado na caixa do motor e deve portanto ser descartado em conformidade com os regulamentos locais.
11. Caso o cliente viva numa região de água dura (água com um teor elevado de cálcio ou depósitos de cal), a bomba, o conjunto do rotor e o interior do motor devem ser limpos a intervalos regulares (ver **MANUTENÇÃO**).

- Utilizar apenas acessórios que tenham sido designados para serem utilizados com este produto. A utilização de quaisquer outros acessórios pode invalidar a sua garantia.
- Esta bomba não é adequada para utilização com água do mar ou salgada.
- Para obter a altura máxima total destas bombas, consulte a tabela no final destas instruções.
- Remover e desempacotar a rótula de engate, a peça de encaixe nas mangueiras e o dispositivo de controlo da corrente (Fig. 1 – D, E e H).
- Remover o cabo de ligação à fonte de alimentação e desenrolar.
- Verificar se o orifício de descarga da bomba está preso ao adaptador de descarga (Fig. 1 – C). Posicionar a bomba na sua zona de montagem, assegurando que a peça do adaptador encaixa nas estrias de localização na parte dianteira da caixa inferior (Fig. 4).

## Ligações Eléctricas

- ADVERTÊNCIA:** Desligar ou desacoplar sempre todos os aparelhos do laço da respectiva fonte de alimentação antes de colocar as mãos dentro de água durante a instalação, conserto, manutenção ou manuseamento do equipamento.
- Verificar se a voltagem marcada na unidade corresponde à da fonte de alimentação.
- A bomba é fornecida com 10 m de cabo eléctrico com 3 núcleos, que se encontra permanentemente ligado ao motor e vedado dentro dele.  
O cabo de alimentação não pode ser substituído. Se o cabo sofrer danos, a bomba deve ser descartada.  
A ficha fornecida com este produto não é impermeável e deve ser encerrada numa caixa seca e impermeável.
- Um Interruptor da Corrente Residual (RCD, Residual Current Device) de 10mA ou 30mA deve ser ligado à fonte de alimentação.
- A instalação deve aderir aos regulamentos locais e nacionais para as ligações eléctricas que possam incluir a utilização de condutores de plástico ou metal para proteger o cabo.
- ADVERTÊNCIA:** Este aparelho deve ser ligado a uma fonte de alimentação ligada à terra .
- O cabo da bomba (e o cabo de extensão) devem ser posicionados e protegidos adequadamente contra quaisquer danos, em especial nos casos em que possa ocorrer o contacto com equipamento de jardinagem (cortadores de relva, forquilhas etc.), com crianças e com animais domésticos.

## Instalação

**NOTA:** Quando estiver a funcionar no modo anfíbio, a bomba instalada seca TEM DE estar posicionada na horizontal, conforme indicado.

(Fig. 2 & 3)

## Montagem e Instalação da Bomba - Operação submersa

- Abri os cliques que se encontram em cada uma das extremidades da caixa do coador e abrir a caixa (Fig. 1 – F).
- Remova a Inserção de proteção de peixe pequeno (Fig 1–A).
- Enrosque a peça de encaixe na mangueira directamente ao moente de descarga da rótula de engate (Fig. 10). Pode-se rodar a rótula de engate, para permitir o encaminhamento da mangueira para longe da bomba.

## Posição da Bomba para Lago

11. Para obter os melhores resultados, a bomba deve ser posicionada na parte mais profunda do lago. Isto assegura a melhor circulação da água no lago e, quando a bomba está a ser utilizada como bomba de filtração, esta posição assegura a maximização da capacidade da bomba para processar sólidos.

Para obter melhores resultados, não convém colocar a bomba directamente no fundo do lago. Recomendamos que a bomba seja instalada sobre uma plataforma horizontal que fique cerca de 300 mm acima do fundo do lago. Isto evita que a bomba sugue solo directamente do fundo do lago, assegurando ainda que, se ocorrer um derrame accidental da água do lago, uma quantidade de água suficiente permanecerá no fundo do lago. (Ver a Fig. 11).

Não usar nunca o cabo de alimentação para elevar a bomba, pois que o cabo poderá sofrer danos. Recomendamos o encaixe de um cabo de elevação à pega da caixa do coador caso a bomba deva ser instalada em águas fundas.

## Inserção de Protecção de Peixe Pequeno

12. Se tiver peixe ou outra fauna selvagem no seu lago, existem períodos do ano durante os quais poderão procriar. Nessa altura, as crias de peixe são pequenas e podem ser sugadas para a bomba. De modo a minimizar esta possibilidade, a gama de bombas Aquaforce possui uma inserção única de protecção de peixe pequeno que reduz o tamanho do orifício do filtro da entrada para 2 mm nessa altura crítica no ciclo de vida dos peixes. Para utilizar essa funcionalidade, posicione as quatro bases da inserção na área correspondente da grade inferior, conforme indicado na Fig 12, garantindo que a inserção está corretamente inserida. Feche a parte superior da grade e fixe os cliques. Durante a utilização da inserção poderá ter de desbloquear a Grade do Filtro com mais frequência. Assim que os peixes ou outra fauna selvagem tiverem crescido para um tamanho suficiente poderá remover a inserção da grade da sua bomba e repor o tamanho do filtro para o respetivo tamanho máximo de 10 mm.

## Utilização do Controlo da Corrente

O controlo da corrente (Fig. 1 - h) pode mudar a quantidade de água que entra na bomba. Alternativamente, também pode ser utilizado para ligar segundo orifício de admissão à bomba como, por exemplo, um filtro satélite ou um aspirador de superfície. Não utilizar o controlo da corrente caso a bomba tenha uma aplicação anfíbia.

1. Abrir a caixa e remover a tampa da extremidade (Fig. 1 - g).
2. Fechar o controlo da corrente, rodando a parte

exterior até alinhar as setas.

3. Enroscar firmemente o controlo da corrente à abertura da bomba, alinhando as setas do controlo da corrente com a seta do centro do topo da câmara da bomba (Fig. 13).
4. Posicionar a bomba dentro da caixa. Assegurar que as ranhuras do adaptador de descarga se encontram alinhadas com as estrias da caixa inferior e que o punho do controlo da corrente se encontra no exterior da caixa (Fig 14).
5. Para utilizar como controlo da corrente, enroscar a tampa da extremidade à extremidade livre do controlo da corrente.
6. Rodar o punho até à posição desejada. Isto modifica o tamanho da abertura do controlo da corrente. A seta que se encontra no punho é alinhada com o indicador no exterior da caixa superior. Quando a extremidade aguçada da seta ficar alinhada com o indicador do exterior da caixa do filtro, é sinal de que se alcançou a corrente mínima. Quando a extremidade larga da seta ficar alinhada com o indicador, é sinal de que se alcançou a corrente máxima (Ver Fig. 14).
7. Posicionar o cabo no seu nicho (Ver o ponto 6 da secção “Operação Submersa”), fechar a tampa da caixa e prender com os cliques.
8. Para utilizar segunda entrada, ligar um comprimento apropriado de mangueira a uma peça de encaixe na mangueira que tenha sido cortada até obter um diâmetro apropriado e enroscar à extremidade livre do controlo da corrente em lugar da tampa da extremidade (Fig. 150).
9. A outra extremidade da mangueira pode ser ligada a um filtro satélite (Fig. 17) (que pode ser encomendado à Hozelock como peça sobresselente) ou a um aspirador de superfície (Fig. 16).
10. Ao fazer a rotação do punho do controlo da corrente, a quantidade de água que entra pelo filtro satélite ou aspirador de superfície pode ser alterada.

## Instalação da Bomba - Anfíbia

Esta bomba pode ter uma aplicação anfíbia (ou seja, pode também ser utilizada em posição não submersa).

**ADVERTÊNCIA!** Certificar-se de que a unidade não tem ar a entrar nem funciona em seco, o que danificaria a bomba.

**ADVERTÊNCIA!** Desligue ou desconecte sempre da rede de alimentação elétrica todos os aparelhos que se encontrem no lago antes de colocar as mãos na água enquanto o equipamento estiver a ser instalado, reparado, revisto ou manejado.

**OBSERVAÇÃO:** Esta bomba não se pré-injecta. É necessário encher a mangueira de sucção e a bomba



com água antes de ligar a bomba.

1. Abrir os cliques de cada extremidade da caixa do coador, abrir a caixa e remover todo o seu conteúdo.
2. Desenroscar o adaptador de descarga da descarga da bomba e posicionar nas estrias da caixa inferior (Fig. 18)
3. Colocar a bomba debaixo de água, perto da região lateral do lago, o que permite a entrada de água na câmara de bombear (não é auto-aspirante) (Fig. 19).
4. Cortar 2 peças de encaixe na mangueiras a um tamanho indicado (Ver o ponto 9 da secção Operação Submersa). Ligar um comprimento apropriado de mangueira a cada peça de encaixe na mangueira e fixar com cliques de mangueira apropriados.
5. Mergulhar a mangueira de admissão debaixo da superfície da água até a mangueira ficar completamente cheia de água. Enroscar a peça de encaixe na mangueira à abertura de admissão da bomba, assegurando uma vedação impermeável com a ajuda da anilha fornecida (Fig. 20).
6. Fixar a mangueira de descarga à abertura de descarga da bomba, enroscando para tal a peça de encaixe na mangueira. Assegurar uma vedação impermeável com ajuda da anilha fornecida (Fig. 21).
7. Verificar se a câmara da bomba e a mangueira estão cheias de água e ligar a bomba. A bomba pode agora ser retirada da água para a sua posição de operação anfíbia, mas a abertura de admissão da mangueira deve permanecer sempre submersa.
8. Para evitar que a bomba se entupa, deve-se ligar a caixa à mangueira de admissão por meio de outra peça de encaixe na mangueira.
9. Quando se utiliza a bomba em aplicações anfíbias, deve-se proteger a bomba da luz solar directa, a qual pode causar o sobreaquecimento do motor.
10. A rótula de engate não foi concebida para ser utilizada fora da água.

## Manutenção

A gama de bombas Aquaforce da Hozelock Cyprio foi concebida para permitir uma manutenção fácil e rápida. Para prolongar a vida da bomba e manter a bomba em condições ideais, devem adoptar-se as seguintes directrizes de manutenção.

**Aviso:** Desligar ou desacoplar sempre TODOS os aparelhos do lago da respectiva fonte de alimentação antes de colocar as mãos dentro de água ou de iniciar a manutenção.

1. Se a bomba tiver sido instalada há pouco tempo, deve ser examinada todos os dias para verificar se

está a funcionar correctamente.

2. Se o utilizador verificar uma redução do desempenho (pouca corrente) deve limpar a caixa do coador. Os intervalos entre as limpezas variam e dependem das condições da água do lago. Por exemplo, no verão poderá ser necessário limpar a bomba uma vez por semana. Para limpar a caixa do coador, abrir os cliques e remover a bomba. Pode-se então limpar a caixa e retirar os detritos que estejam a entupir os orifícios do coador, lavando o mesmo em água limpa. Deve-se verificar também se a câmara da bomba e o rotor estão bloqueados com detritos.
3. Pelo menos uma vez por ano deve-se desmontar completamente a bomba, incluindo o conjunto do rotor, tal como descrito a seguir, e lavar todos os componentes em água limpa e fresca. Substituir as peças gastas ou partidas.

### Montagem e Desmontagem da Bomba (6000 e 8000) - Fig 22 e 24

1. Desligue a bomba e remova a grade do filtro conforme descrito anteriormente e remova a bomba.
2. Assegure que a bomba arrefeceu antes de a desmontar.
3. Desaperte os 4 parafusos de precisão (a) da câmara.
4. Puxe cuidadosamente a câmara da bomba (b) diretamente da estrutura do motor (e).
5. Puxe o conjunto do rotor (c) para fora da estrutura do motor. Importante! Tome cuidados redobrados para não deixar cair o conjunto do rotor.
6. Lave todos os componentes com água limpa. Não utilize detergentes nem outros produtos químicos.
7. Assegure que a junta circular (d) está na respetiva ranhura (fig 24a e 24b).
8. Substitua o conjunto do rotor na estrutura do motor, assegurando que os orifícios na placa por trás do impulsor estão posicionados nos pinos da estrutura do motor (fig 24c e 24d).
9. Reinstale a câmara da bomba. Rode a câmara de modo a alinhar os orifícios dos parafusos e reinstale os parafusos, tendo cuidado para não retirar as porcas na estrutura do motor (fig 24e).
10. Recoloque a bomba na grade do filtro.

### Montagem e Desmontagem da Bomba (12000 e 15000) - Fig 23 e 25

1. Desligue a bomba e remova a grade do filtro conforme descrito anteriormente e remova a bomba.
2. Assegure que a bomba arrefeceu antes de a desmontar.
3. Desaperte os 4 parafusos de precisão (a) da câmara.
4. Rode e puxe a câmara da bomba (b) diretamente da estrutura do motor (e).

5. Puxe o conjunto do rotor (c) para fora da estrutura do motor.  
Importante! Tome cuidados redobrados para não deixar cair o conjunto do rotor.
6. Lave todos os componentes com água limpa. Não utilize detergentes nem outros produtos químicos.
7. Substitua o conjunto do rotor na estrutura do motor (fig 25a), assegurando que os orifícios na placa por trás do impulsor estão posicionados nos pinos da estrutura do motor (fig 25b).
8. Note que a ranhura do o-ring é formada quando o rotor tiver sido corretamente posicionado (fig 25c). Encaixe o o-ring (d) sobre o rotor. Assegure que o o-ring está corretamente posicionado entre a placa do rotor e a estrutura do motor (fig 25d).
9. Reinstale a câmara da bomba. Rode a câmara de modo a alinhar os orifícios dos parafusos e reinstale os parafusos, tendo cuidado para não retirar as porcas da estrutura do motor (fig 25e).
10. Recoloque a bomba na grade do filtro.

## Cuidados Durante o Inverno

1. No Outono, deve-se tirar a bomba do lago.
2. Limpar a bomba tal como indicado acima.
3. Durante o Inverno, recomendamos que a bomba seja armazenada dentro de um balde de água. Isto evita que os rolamentos sequem, o que pode fazer com que eles fiquem presos. Isto é especialmente importante se o cliente estiver a utilizar a bomba numa região de água dura. O balde de água com a bomba dentro deve ser armazenado num local protegido contra a geada.

## Resolução de Problemas/ Localização de Defeitos

**Importante – Guardar esta secção para futura referência.**

### A CORRENTE DA BOMBA É BAIXA

1. Verificar se a caixa do coador está limpa.
2. Os canos de saída de diâmetros pequenos restringem a corrente de água.
3. Verificar se a câmara da bomba está entupida com detritos.
4. Se utilizar a bomba de forma anfíbia, certifique-se de que a rótula de engate não está em utilização e, ao fixar a peça de extremidade da mangueira às bombas, verifique se as anilhas fornecidas estão em utilização.

### A BOMBA NÃO TEM CORRENTE DE ÁGUA

1. Verificar se a bomba está ligada à fonte de alimentação.
2. Verificar se o fusível, o RCD e a cablagem não têm defeitos.
3. Verificar se o conjunto do rotor está engatado,

bloqueado ou danificado, ou se está a mostrar sinais de uso excessivo.

4. Verificar se a caixa do coador está limpa.
5. O dispositivo de protecção contra a sobrecarga térmica disparou. (ver INTRODUÇÃO).

## Garantia de 3+2 Anos da Hozelock Cyprio

Se esta bomba, excluindo o conjunto do rotor, se tornar inútil no prazo de 3 anos a contar da data em que foi comprada, a bomba será consertada ou substituída, por opção nossa, gratuitamente, a não ser que, na nossa opinião, tenha sido danificada ou mal utilizada. Para aumentar esta garantia de 3 anos para 5 anos, o cliente deve registar-se em <http://register.hozelock.com>.

Não aceitamos responsabilidade por danos causados por acidentes ou por uma instalação ou utilização incorrecta. A nossa responsabilidade limita-se à substituição de uma bomba avariada.

Esta garantia não é transferível. Não afecta os seus direitos estatutários. Para obter as vantagens desta garantia, comece por contactar os Serviços ao Consumidor da Hozelock Cyprio, que poderão pedir-lhe para enviar directamente a bomba, juntamente com o elemento comprovativo da sua compra, para o endereço abaixo:

[www.hozelock.com](http://www.hozelock.com)

Aquaforce	1000	2500	4000	6000	8000	12000	15000
Número da peça à venda	1580	1581	1582	1583A	1584A	1585A	1586A
Volts (V)	230V 50Hz	230V 50Hz	230V 50Hz	230V 50Hz	230V 50Hz	230V 50Hz	230V 50Hz
Alimentação (w)	25	30	50	65	95	130	180
Corr Máx, QMax, (l/hr)	1000	2500	4000	6000	8000	12000	15000
Carga Máx, HMax, (m)	1.5	2.1	2.5	3.5	4.0	5.0	5.7
Qualificação IP	IPX8	IPX8	IPX8	IPX8	IPX8	IPX8	IPX8
Profundidade máx. submersão (m)	2.5	2.5	2.5	2.5	2.5	2.5	2.5
Temperatura máx. água Tmax (°C)	35°C	35°C	35°C	35°C	35°C	35°C	35°C
Uso anfíbio	✗	✗	✗	✓	✓	✓	✓

\*Medido em condições controladas

PL

Dziękujemy za wybór wysokiej jakości produktu firmy Hozelock. Zapewnia to wiele lat niezawodnej pracy urządzenia.



**URZĄDZENIE DO ZASTOSOWAŃ DOMOWYCH. PRZED INSTALACJĄ NALEŻY DOKŁADNIE ZAPOZNAĆ SIĘ Z NINIEJSZĄ**

**INSTRUKCJĄ.**

**NIEPRZESTRZEGANIE PONIŻSZYCH ZALECEŃ MOŻE DOPROWADZIĆ DO OBRAŻEŃ CIAŁA, USZKODZENIA PRODUKTU LUB ŚMIERCI RYB. INSTRUKCJĘ NALEŻY ZACHOWAĆ DO WYKORZYSTANIA W PRZYSZŁOŚCI.**

**INSTRUKCJE MOŻNA TAKŻE POBRAĆ ZE STRONY INTERNETOWEJ <http://www.hozelock.com/customer-service/instruction-leaflets.html>.**

## Zawartość

(rys. 1) Przed instalacją sprawdzić, czy wszystkie elementy zostały dostarczone.

- A. Wkładka systemu ochrony małych ryb
- B. Pompa
- C. Złącze wylotowe
- D. Złącze kulowe
- E. Końcówka do węża i nakrętka
- F. Klatka filtrująca
- G. Nasadkę
- H. Regulator przepływu
- I. Instrukcja obsługi

## Wstęp

Pompa Hozelock Cyprio Aquaforce jest zasilana elektrycznie i została przeznaczona do pompowania wody wraz z cząstkami stałymi o średnicy do 10 mm przy zapewnieniu minimalnej potrzeby obsługi filtra wstępnego. Pompy tego typu są szczególnie zalecane do pompowania wody do filtrów zewnętrznych lub do zasilania kaskad wodnych wymagających dużego natężenia przepływu wody lub cieków wodnych, gdzie bezawaryjność systemu jest wyjątkowo ważna. Pompa nie wymaga smarowania olejem lub smarem, dzięki czemu może być bezpiecznie stosowana w stawach z rybami lub roślinami. Silnik składa się z uszczelnionego stojana i chłodzonego wodą wirnika. Wszystkie elementy elektryczne są zabezpieczone przed kontaktem z wodą.

## UWAGA

### AUTOMATYCZNY WYŁĄCZNIK

Dla zapewnienia długiej trwałości użytkowej pompy oraz w celu zapobiegania jej uszkodzeniom, pompa została wyposażona w automatyczne zabezpieczenie na wypadek przeciążenia termicznego. Ten system wyłącza pompę w przypadku przegrzania. W przypadku pojawienia się takiej sytuacji, należy odłączyć pompę od zasilania. Sprawdzić przyczynę. Zazwyczaj przyczyną przegrzania są zanieczyszczenia blokujące otwory wlotowe pompy lub wirnika. Należy usunąć blokadę i odczekać do momentu ostygnięcia pompy. Następnie, ponownie włączyć pompę.

## Ogólne Zalecenia Dotyczące Bezpieczeństwa

1. Ta pompa została zaprojektowana w sposób pozwalający na jej użycie tylko w stawach. Używać pompy do obsługi systemów filtrów stawu, fontann, wodospadów, itp. Nie należy używać pompy do innych celów (np. nie używać pompy w basenach, łazienkach, systemach centralnego ogrzewania, itp.). Użycie pompy do innych celów może doprowadzić do obrażeń lub uszkodzenia pompy.
2. **Uwaga:** urządzenie może być obsługiwane wyłącznie przez osobę dorosłą, która potrafi korzystać z niego w bezpieczny sposób oraz rozumie zagrożenia związane z jego obsługą. Urządzenie powinno być używane i przechowywane poza zasięgiem dzieci oraz osób o ograniczonych zdolnościach fizycznych, sensorycznych lub umysłowych.
3. **OSTRZEŻENIE:** przed włożeniem rąk do wody w celu montażu, naprawy, konserwacji lub przeniesienia urządzenia należy odłączyć od zasilania wszystkie urządzenia elektryczne znajdujące się w stawie. **Końca przewodu podłączonego do zasilania nigdy nie wolno zanurzać w wodzie.**
4. Nigdy nie należy podnosić pompy za kabel zasilania, może to doprowadzić do jej uszkodzenia. Jeżeli pompa jest instalowana w głębokiej wodzie, zalecamy zamontowanie do uchwytu na klacke filtrującej kabla do podnoszenia.
5. Nie należy używać i pozostawiać pompy w temperaturach poniżej zera.
6. Należy zabezpieczyć pompę przed bezpośrednim działaniem promieni słonecznych. Promienie słoneczne mogą doprowadzić do przegrzania silnika.
7. Nigdy nie należy dopuścić do pracy pompy na sucho.
8. Nie należy używać pompy bez prawidłowo zainstalowanej klacki filtrującej. Używanie pompy bez klacki filtrującej może doprowadzić do unieważnienia gwarancji.
9. **UWAGA:** Ten produkt nie jest przystosowany do (przetłaczania) wody o temperaturze przekraczającej 35°C
10. **UWAGA:** Nie należy używać urządzenia w przypadku uszkodzenia kabla zasilającego lub silnika. Nie można wymienić kabla zasilającego, ponieważ jest on na stałe zamknięty w obudowie silnika. Kabel należy wyrzucić zgodnie z miejscowymi przepisami.
11. Jeżeli woda w miejscu zamieszkania użytkownika ma wysoki stopień twardości (woda o wysokiej zawartości wapna lub kamienia), należy regularnie

czyścić pompę, zespół wirnika oraz wnętrze silnika (patrz KONSERWACJA).

12. Używać tylko akcesoriów, które są przeznaczone do użycia z tym urządzeniem. Użycie innych akcesoriów może doprowadzić do unieważnienia gwarancji.
13. Pompa nie jest przeznaczona do stosowania w zbiornikach ze słoną lub morską wodą.
14. Maksymalna wysokość słupa wody dla tej pompy została podana w tabeli na końcu niniejszej instrukcji.

## Połączenia Elektryczne

1. **OSTRZEŻENIE:** Zawsze przed włożeniem rąk do wody w celu przeprowadzenia instalacji, naprawy, konserwacji lub obsługi urządzenia, należy odłączyć od zasilania wszystkie urządzenia w stawie.
2. Sprawdzić, czy napięcie zaznaczone na urządzeniu jest zgodne z napięciem sieci zasilającej.
3. Pompa jest dostarczana z 10 m trzyżyłowego kabla elektrycznego, który jest uszczelniony i na stałe podłączony do silnika.  
Nie można wymienić kabla zasilającego. W razie uszkodzenia kabla, należy wyrzucić pompę. Wtyczka dostarczana z produktem nie jest wodoszczelna i należy ją umieścić w suchej, wodoszczelnej obudowie.
4. Do sieci zasilającej należy podłączyć wyłącznik różnicowoprądowy 10mA lub 30mA (RCD).
5. Instalacja musi być zgodna z krajowymi i miejscowymi przepisami dotyczącymi instalacji elektrycznych, które mogą obejmować wykorzystanie plastikowego lub metalowego przewodu do zabezpieczenia kabla.
6. **OSTRZEŻENIE:** To urządzenie należy podłączyć do zasilania z uziemieniem.
7. Kabel pompy (i przedłużacz) należy umieścić i zabezpieczyć na wypadek uszkodzenia, zwłaszcza w miejscach, w których kabel styka się ze sprzętem ogrodniczym (kosiarka, widły itp.) oraz tam, gdzie mają dostęp dzieci i zwierzęta.

## Instalacja

**UWAGA:** Używając systemu w układzie pod wodą i na lądzie, pompa, która znajduje się na lądzie MUSI być ułożona poziomo, jak pokazano na rysunku. (Rys. 2 & 3)

## Instalacja Pompy - Praca Pod Wodą

1. Otworzyć zaciski na jednym końcu klacki filtrującej i otworzyć kłatkę (rys. 1–F).

2. Wyjąć wkładkę systemu ochrony małych ryb (rys. 1–A).
3. Wyjąć i odpakować złącze kulowe, końcówki do węża i regulator przepływu (rys. 1 – D, E i H).
4. Wyjąć i rozwinąć kabel zasilający.
5. Sprawdzić, czy wylot pompy jest przymocowany do złącza wylotowego (rys. 1 – C). Umieścić pompę w miejscu instalacji, sprawdzając, czy gniazda złącza znajdują się w żeberkach lokalizacyjnych z przodu dolnej klatki (rys. 4).

**Uwaga:** Złącze powinno być ustawione tak, aby wylot znajdował się na dole klatki filtrującej (rys. 5).

6. Umieścić kabel zasilający we wgłębieniu z boku klatki. Upewnić się, że znajduje się w prawidłowej pozycji, aby nie zakleszczy się po zamknięciu klatki (Rys. 6).

Założyć ponownie wkładkę systemu ochrony małych ryb.

7. Zamknąć pokrywę klatki upewniając się, że nasadka (rys. 1 – G) znajduje się w prawidłowym położeniu i przymocować ją naciskając pośrodku zacisków (rys. 7).
8. Sprawdzić, czy występy wlotu i wylotu złącza kulowego znajdują się w jednej linii, przykręcić nakrętkę do gwintu na złączu wylotowym (rys. 8).
9. Używanie przewodów o małej średnicy prowadzi do ograniczenia przepływu wody. Im większa średnica przewodu, tym lepsza wydajność pompy, zwłaszcza podczas długich cykli pracy. Końcówka węża dostarczona razem z urządzeniem jest przeznaczona do węża 25 mm (1"), 32 mm (1,25") i 40 mm (1,6") oraz gwintów 3/4" BSP do przymocowania akcesoriów fontanny. Zalecamy, aby w pompach tej wielkości używanych w wodospadach lub w połączeniu z filtrem wykorzystywany był wąż o średnicy 40 mm (rys. 2 i 3). Po wybraniu średnicy węża, aby wyeliminować ograniczenia, należy odciąć część końcówki węża, która jest mniejsza od jego średnicy (rys. 9). Przymocować do końcówki węża odpowiedniej długości, zabezpieczyć za pomocą odpowiedniego zacisku i ustawić wylot węża w odpowiedniej pozycji.
10. Przykręcić końcówkę węża bezpośrednio do zgrubienia wylotowego złącza kulowego (rys. 10). Złącze kulowe obraca się, umożliwiając ustawienie węża z dala od pompy.

#### Położenie pompy do stawu

11. W celu uzyskania najlepszych wyników, pompę należy umieścić w najgłębszym miejscu stawu. Zapewni to najlepszy możliwy obieg wody w stawie i kiedy pompa będzie używana jako pompa filtracyjna, wydajność przepompowywania ciał stałych zostanie zmaksymalizowana.

W celu uzyskania najlepszych wyników, nie należy umieszczać pompy bezpośrednio na dnie stawu.

Zalecamy zainstalowanie pompy na paskiej poziomej platformie, znajdującej się około 300 mm nad dnem stawu. Uniemożliwi to wysysanie zanieczyszczeń bezpośrednio z dna stawu i w przypadku wycieku wody ze stawu, w stawie pozostanie wystarczająca ilość wody (patrz rys. 11). Nigdy nie należy podnosić pompy za kabel zasilania, może to doprowadzić do jej uszkodzenia. Jeżeli pompa jest instalowana w głębokiej wodzie, zalecamy zamontowanie do uchwytu na klatce filtrującej kabla do podnoszenia.

#### Wkładka systemu ochrony małych ryb

12. Zawsze należy pamiętać o okresach rozmnażania się organizmów wodnych i ryb przebywających w stawie. W tych okresach narybek może zostać zassany przez pompę. Aby zminimalizować to ryzyko, pompy z serii Aquaforce zostały wyposażone w wyjątkową wkładkę stanowiącą system ochrony małych ryb, który zmniejsza wielkość otworów sitka na wlocie do 2 mm. Aby skorzystać z tej funkcji, należy umieścić cztery nogi wkładki we właściwych miejscach w dolnej klatce w sposób przedstawiony na rysunku 12. Należy upewnić się, że wkładka wkładana jest właściwą stroną. Założyć górną część klatki i zamknąć zaciski. Kiedy wkładka jest włożona, konieczne może być częstsze odblokowywanie klatki filtrującej. Kiedy narybek lub inne organizmy wodne osiągną już wystarczającą wielkość, można wyjąć wkładkę filtrującą z klatki pompy, co przywróci maksymalny rozmiar otworów 10 mm.

#### Używanie Regulatora Przepływu

Regulator przepływu (rys. 1 - H) może być inny, zależy to od objętości pompowanej wody. Alternatywnie można używać regulatora do podłączenia drugiego wlotu do pompy, np. filtra obiegowego lub zbieracza zanieczyszczeń powierzchniowych. Nie należy używać regulatora przepływu, jeśli pompa jest używana na lądzie i w wodzie.

1. Otworzyć klatkę i wyciągnąć nasadkę (rys. 1 - G).
2. Zamknąć regulator przepływu obracając zewnętrzną część do momentu wyrównania strzałek.
3. Przykręcić regulator przepływu do wlotu pompy wyrównując strzałki na regulatorze przepływu ze strzałką na środku górnej części komory pompy (rys. 13).
4. Umieścić pompę w klatce. Sprawdzić, czy otwory w złączu zewnętrznej zostają wyrównane z żeberkami w dolnej komorze i, czy uchwyt regulatora przepływu znajduje się po zewnętrznej stronie klatki (rys. 14).
5. Aby używać jako regulatora przepływu, przykręcić nasadkę do wolnego końca regulatora przepływu.
6. Obrócić uchwyt do wymaganej pozycji. Ta

czynność powoduje zmianę wielkości otworu regulatora przepływu. Strzaka na uchwycie wyrównuje się ze wskaźnikiem po stronie zewnętrznej górnej klatki. Kiedy koniec strzaki wyrówna się ze wskaźnikiem po stronie zewnętrznej klatki filtrującej, oznacza to, że ustawiono minimalne natężenie przepływu. Kiedy szerszy koniec strzaki wyrówna się ze wskaźnikiem, oznacza to, że ustawiono maksymalne natężenie przepływu (patrz rys. 14).

7. Umieścić kabel we wgłębieniu (patrz punkt 6 w Praca pod wodą), zamknąć pokrywę klatki i przymocować zaciski.
8. Aby skorzystać z drugiego wlotu, podłączyć kabel o odpowiedniej długości do końcówki do węża, która zostaa przycięta do odpowiedniej średnicy i przykręcić do wolnego końca regulatora przepływu w miejscu nasadki (rys. 15).
9. Drugi koniec węża można podłączyć do filtra obiegowego (rys. 17) (dostępny jako część zapasowa z Hozelock) lub do zbieracza zanieczyszczeń powierzchniowych (rys. 16).
10. Poprzez obracanie uchwytu regulatora przepływu, można zmienić ilość wody przechodzącej przez filtr obiegowy lub zbieracz do zanieczyszczeń powierzchniowych.

## Instalacja Pompy - Do Pracy na Łądzie i w Wodzie

Ten model pompy można używać do pracy na łądzie i w wodzie (np. można jej używać kiedy nie jest zanurzona w wodzie).

**OSTRZEŻENIE:** Sprawdzić, czy urządzenie nie pobiera powietrza i, czy nie pracuje na sucho. Może to doprowadzić do uszkodzenia pompy!

**OSTRZEŻENIE:** przed włożeniem rąk do wody w celu montażu, naprawy, konserwacji lub przeniesienia urządzenia należy odłączyć od zasilania wszystkie urządzenia elektryczne znajdujące się w stawie.

**UWAGA:** Ta pompa nie zalewa się samoistnie. Przed włączeniem pompy, należy zalać wodą wąż próżniowy i pompę.

1. Otworzyć zaciski po jednej stronie klatki filtrującej, otworzyć klatkę i wyjąć caą zawartość.
2. Wykręcić złącze wylotowe z wylotu pompy i umieścić je na żeberkach dolnej klatki (rys. 18)
3. Umieścić pompę pod powierzchnią wody z boku stawu i pozwolić na zalanie komory pompującej (nie jest samozasysająca)(rys. 19).
4. Przyciąć dwie końcówki węża do wymaganego rozmiaru (patrz punkt 9 w Praca pod wodą). Przymocować wąż o odpowiedniej długości do każdej końcówki i zabezpieczyć za pomocą zacisków do węża.
5. Umieścić wąż wlotowy pod powierzchnią wody

upewniając się, że caý wąż znalazł się pod wodą. Przymocować końcówkę węża do wlotu pompy i zabezpieczyć uszczelkę wodoszczelną za pomocą dostarczonej podkadki (rys. 20).

6. Przymocować wąż wylotowy do wylotu pompy przykręcając go do końcówki węża. Zabezpieczyć uszczelkę wodoszczelną za pomocą dostarczonej podkadki (rys. 21).
7. Sprawdzić, czy komora pompy i wąż zostay zalane wodą i włączyć pompę. Teraz można wyciągnąć pompę z wody do pracy na łądzie, należy pamiętać o tym, aby końcówka wlotowa węża pozostaa pod wodą.
8. Aby uniknąć zatkania pompy, podłączyć klatkę do końcówki wlotowej węża wlotowego za pomocą drugiej końcówki do węża.
9. Jeżeli pompa jest używana na łądzie, należy ją zabezpieczyć przed bezpośrednim działaniem promieni słonecznych. Promienie słoneczne mogą doprowadzić do przegrzania silnika.
10. Nie należy używać złącza kulowego na łądzie.

## Konserwacja

Gama pomp Aquaforce firmy Cyprio Hozelock zostaa zaprojektowana w sposób pozwalający na atwą i szybką konserwację. Aby przedłużyć trwałość użytkową pompy i utrzymać wysoki poziom jej wydajności, należy przestrzegać zaleceń dotyczących konserwacji.

**Przeostoga:** Zawsze przed wożeniem rąk do wody i rozpoczynaniem konserwacji należy odłączyć od zasilania WSZYSTKIE urządzenia.

1. Po zainstalowaniu pompy, należy sprawdzać ją codziennie pod kątem prawidłowego działania.
2. W przypadku spadku wydajności pompy (niskie natężenie przepływu), należy wyczyścić klatkę filtrującą. Odstępny w czyszczeniu zależą od stanu wody w stawie. W okresie letnim należy wyczyścić klatkę filtrującą raz w tygodniu. W celu wyczyszczenia klatki filtrującej, należy otworzyć zaciski i wyjąć pompę. Należy wyczyścić klatkę z zanieczyszczeń blokujących otwory filtra i wypukać w czystej wodzie. Należy również sprawdzić komorę i silnik pompy pod kątem zablokowania zanieczyszczeniami.
3. Przynajmniej raz w roku należy cakowicie zdemontować pompę gćcznie z zespoem wirnika w sposób opisany poniżej i umyć wszystkie jej podzespy w czystej wodzie. Wymienić wszystkie uszkodzone lub zużyte elementy.

## Demontaż i montaż pompy (6000 i 8000) — rys. 22 i 24

1. Wyłączyć pompę i wyjąć klatkę filtrującą, jak opisano powyżej, a następnie wyjąć pompę.
2. Przed demontażem pompy poczekać na jej ostygnięcie.
3. Wykręcić 4 śruby Pozidriv (a) z komory.

- Delikatnie pociągnąć za komorę pompy (b) i wyciągnąć ją w linii prostej z korpusu silnika (e).
- Wyciągnąć zespół wirnika (c) z korpusu silnika. Ważne! Należy zachować szczególną ostrożność, aby nie upuścić zespołu wirnika.
- Wypłukać wszystkie elementy w czystej wodzie. Nie wolno używać detergentów ani innych chemicznych środków czyszczących.
- Sprawdzić, czy pierścień o-ring (d) znajduje się na swoim miejscu we wgłębieniu (rys. 24a i 24b).
- Umieścić ponownie zespół wirnika w korpusie silnika, upewniając się, że otwory w płycie za wirnikiem naszyły na wystające kołki na korpusie silnika (rys. 24c i 24d).
- Zamontować komorę pompy. Przekręcić komorę pompy tak, aby wyrównać otwory na śruby. Wkręcając śruby należy uważać, aby nie wypchnąć nakrętek z korpusu silnika (rys. 24e).
- Włożyć pompę do klatki filtrującej.

### Demontaż i montaż pompy (12000 i 15000) — rys. 23 i 25

- Wyłączyć pompę i wyjąć klatkę filtrującą, jak opisano powyżej, a następnie wyjąć pompę.
- Przed demontażem pompy poczekać na jej ostygnięcie.
- Wykręcić 4 śruby Pozidriv (a) z komory.
- Przekręcić i pociągnąć za komorę pompy (b) i wyciągnąć ją w linii prostej z korpusu silnika (e).
- Wyciągnąć zespół wirnika (c) z korpusu silnika. Ważne! Należy zachować szczególną ostrożność, aby nie upuścić zespołu wirnika.
- Wypłukać wszystkie elementy w czystej wodzie. Nie wolno używać detergentów ani innych chemicznych środków czyszczących.
- Umieścić ponownie zespół wirnika w korpusie silnika (rys. 25a), upewniając się, że otwory w płycie za wirnikiem naszyły na wystające kołki na korpusie silnika (rys. 25b).
- Należy pamiętać, że wgłębienie na pierścień o-ring powstaje dopiero wtedy, gdy wirnik jest prawidłowo włożony (rys. 25c). Założyć pierścień o-ring (d), przekładając go przez wirnik. Upewnić się, że pierścień o-ring został prawidłowo założony i znajduje się pomiędzy płytą wirnika a korpusem silnika (rys. 25d).
- Zamontować komorę pompy. Przekręcić komorę pompy tak, aby wyrównać otwory na śruby. Wkręcając śruby należy uważać, aby nie wypchnąć nakrętek z korpusu silnika (rys. 25e).
- Włożyć pompę do klatki filtrującej.

### Konserwacja w Okresie Zimowym

- W okresie jesiennym należy wyjąć pompę ze stawu.
- Wyczyścić pompę w sposób opisany powyżej.
- W okresie zimowym, zalecamy przechowywanie

pompy w wiadrze wody. Pozwoli to uniknąć zatarć oraz wysuszenia łożysk. Jest to szczególnie ważne, jeżeli pompa jest używana w wodzie o wysokim stopniu twardości. Wiadro z pompą należy przechowywać w miejscu, w którym temperatura nie spada poniżej zera.

### Rozwiązywanie Problemów/ Wykrywanie Awarii

**Ważne** - Należy zachować ten rozdział instrukcji na wypadek korzystania z niego w przyszłości.

#### NISKIE NATĘŻENIE PRZEPŁYWU WODY Z POMPY

- Sprawdzić, czy klatka filtrująca jest czysta.
- Wąż wylotowy o małej średnicy może ograniczać przepływ na wylocie.
- Sprawdzić pod kątem blokady w komorze pompy.
- Używając pompy do pracy pod wodą nie należy używać łożyska kulkowego. Podłączając końcówkę węża do pompy trzeba pamiętać o nałożeniu załączonych do tego celu podkładek.

#### BRAK PRZEPŁYWU Z POMPY

- Sprawdzić, czy pompa jest podłączona do zasilania.
- Sprawdzić bezpiecznik, wyłącznik różnicowoprądowy i okablowanie.
- Sprawdzić, czy zespół wirnika nie został zakleszczony, zablokowany, uszkodzony i, czy nie jest nadmiernie zużyty.
- Sprawdzić, czy klatka filtrująca jest czysta.
- Ochrona termiczna przed przeciążeniem została włączona. (Patrz WSTĘP).

### Hozelock Cyprio, Gwarancja na 3+2 Lata

Jeżeli niniejsza pompa, z wyjątkiem zespołu wirnika, będzie niezdatna do użytku w ciągu 3 lat od daty jej zakupu, zostanie naprawiona lub wymieniona na nasz koszt, chyba, że nasza ekspertyza wykaże, że została uszkodzona lub była używana w sposób niewłaściwy. Aby przedłużyć 3 letnią gwarancję do 5 lat, prosimy o rejestrację pod adresem <http://register.hozelock.com>. Zobowiązanie gwarancyjne traci swą moc w przypadku uszkodzenia pompy z powodu wypadku, nieprawidłowej instalacji lub użycia. Zobowiązanie gwarancyjne ogranicza się do wymiany wadliwej pompy.

Tej gwarancji nie można przenieść na inne osoby. Nie wpywa to na prawa klienta wynikające z przepisów. Aby skorzystać z prawa gwarancyjnego, najpierw należy skontaktować się z Centrum obsługi klienta Hozelock Cyprio, które może zażądać wysania pompy razem z dowodem zakupu bezpośrednio na poniższy adres.

[www.hozelock.com](http://www.hozelock.com)

## Wydajność \*

Aquaforce	1000	2500	4000	6000	8000	12000	15000
Numer części	1580	1581	1582	1583A	1584A	1585A	1586A
Volty (V)	230V 50Hz	230V 50Hz	230V 50Hz	230V 50Hz	230V 50Hz	230V 50Hz	230V 50Hz
Moc (w)	25	30	50	65	95	130	180
Maks. natężenie przepływu, (l/hr)	1000	2500	4000	6000	8000	12000	15000
Maks. wysokość spad, HMax, (m)	1.5	2.1	2.5	3.5	4.0	5.0	5.7
Ocena IP	IPX8	IPX8	IPX8	IPX8	IPX8	IPX8	IPX8
Maks. głębokość zanurzenia, (m)	2.5	2.5	2.5	2.5	2.5	2.5	2.5
Maks. temperatura wody Tmax (°C)	35°C	35°C	35°C	35°C	35°C	35°C	35°C
Użycie pod wodą i na lądzie	✘	✘	✘	✔	✔	✔	✔

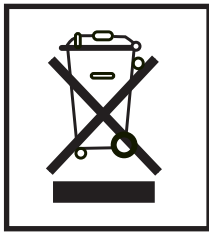
\*Pomiary w kontrolowanych warunkach











#### WEEE

Do not dispose of electrical appliances as unsorted municipal waste, use separate collection facilities. Contact your local government for information regarding the collection systems available. If electrical appliances are disposed of in landfills or dumps, hazardous substances can leak into the groundwater and get into the food chain, damaging your health and well-being. In the EU, when replacing old appliances with new ones, the retailer is legally obligated to take back your old appliance for disposal at least free of charge.

#### WEEE

Die Bedeutung der durchgestrichenen Mülltonne: Entsorgen Sie elektrische Geräte nicht im Hausmüll, nutzen Sie die Sammelstellen in ihrer Gemeinde. Fragen Sie Ihre Gemeindeverwaltung nach den Standorten der Sammelstellen. Wenn elektrische Geräte unkontrolliert entsorgt werden, können während der Verwitterung gefährliche Stoffe ins Grundwasser und damit in die Nahrungskette gelangen, oder Flora und Fauna auf Jahre hinweg verletzen. Wenn Sie das Gerät durch ein neues ersetzen, ist der Verkäufer gesetzlich verpflichtet, das alte mindestens kostenlos zur Entsorgung entgegenzunehmen.

#### DEEE

Ne pas jeter des appareils électriques avec les débris municipaux non triés, utiliser des installations de collecte séparées. Contacter votre municipalité pour plus d'informations concernant les systèmes de collecte disponibles. Si vous vous débarrassez d'appareils électriques sur les sites d'enfouissement des déchets ou des déchèges municipales, des substances dangereuses peuvent s'infiltrer dans les eaux souterraines et contaminer la chaîne alimentaire, mettant ainsi en danger votre santé et votre bien-être. Dans l'UE, lorsqu'on remplace des anciens appareils par des nouveaux, le commerçant a l'obligation légale de reprendre votre ancien appareil, pour en disposer, au moins gratuitement.

#### WEEE

Elektrische apparaten mogen niet met het huishoudelijk restafval worden weggegooid; gebruik aparte inzamelingsfaciliteiten.

Niem contact op met uw gemeente voor informatie over de beschikbare inzamelingsystemen. Als elektrische apparaten worden weggegooid in stortplaatsen of vuilhoeden, dan kunnen gevaarlijke stoffen uitlekken, in het grondwater terechtkomen en de voedselketen binnendringen, waardoor uw gezondheid en welzijn worden geschaad. Als u oude apparaten vervangt door nieuwe, dan is binnen de EU de verkoper wettelijk verplicht om uw oude apparaat op zijn minst gratis terug te nemen voor verwijdering.

#### RAEE

Su producto está marcado con el símbolo especial del 'contenedor de basura tachado'. Este indica que: Los productos eléctricos usados no deberían mezclarse con los residuos domésticos generales y están sujetos al principio de recogida selectiva.

Para obtener más información sobre cómo deshacerse de sus aparatos eléctricos viejos, póngase en contacto con su ayuntamiento.

Si se desechan productos eléctricos en vertederos o botaderos, se corre el peligro de que sustancias peligrosas puedan filtrar al agua subterránea, e introducirse a la cadena alimenticia, perjudicando la salud y bienestar del público.

En la UE, al cambiar aparatos usados por equipos nuevos, el detallista tiene la obligación legal de recibir su equipo viejo, por lo menos en forma gratuita, para que sea eliminado.

#### WEEE

Significato del simbolo della pattumiera con la croce:

Non smaltire apparecchiature elettriche con i rifiuti domestici; utilizzare strutture di raccolta separate. Contattare le autorità locali per informazioni sui sistemi di raccolta disponibili.

Se apparecchiature elettriche sono smaltite in discariche o sversatoi, sostanze pericolose possono penetrare nella falda acquifera e quindi nella catena alimentare, con possibili danni alla salute. Nell'UE, quando si sostituisce un'apparecchiatura con una nuova, il rivenditore è tenuto, per legge, a ritirare gratuitamente l'apparecchiatura esistente per lo smaltimento.

#### WEEE

Släng inte förbrukade elektriska apparater bland osorterat kommunalt avfall, använd separata återvinningsstationer.

Kontakta din kommunledning för information om tillgängliga uppsamlingsplatser. Om elektriska apparater slängs i naturen eller grävs ner kan farliga substanser läcka ut i grundvattnet och tas upp i näringskedjan och på så sätt skada din hälsa och välbefinnande. I EU är det återföreljare skyldig att kostnadsfritt ta tillbaka dina gamla apparater för bortskaffande när du ersätter dem med nya.

#### WEEE

Kast ikke elektriske innretninger som usortert avfall. Lever dette til din lokale gjenvinningsstasjon. Kontakt din kommune for informasjon angående lokal avfallshåndtering. Hvis elektriske innretninger blir kastet i naturen så kan det lette ut farlige stoffer som kan gå i grunnvannet, noe som igjen kan forårsake nedsett helse og trivsel. Når du i EU erstatter gamle innretninger med nye, så er forhandleren pliktig å ta den gamle innretningen i retur uten kostnad for deg som kunde.

#### WEE

Smid ikke de elektriske apparater ud med din dagrenovation, men aflever dem på genbrugspladsen. Hozelock er tilknyttet renovation og genbrug af el-produkter i Danmark.

Kontakt din lokale kommune for information om rigtig deponi. Hvis du smider dine elektriske apparater ud i naturen kan risikable substanser sive ned i grundvandet og dermed komme ind i fødekæden og ødelægge dit helbred. Når du erstatter gamle apparater med nye i EU så er din forhandler forpligtiget til at tage dine gamle apparater tilbage uden omkostninger.

#### WEE

Ristillä ylivivatun roska-astian merkitys:

Älä hävittä sähkölaitteita sekajätteen mukana, käytä lajittelupisteitä

Palautta jätteenkierron muuttunut sähkölaite ELKER-keräyspisteeseen

Mikäli sähkölaitteita joutuu kaatopaikalle, niistä voi vapautua maaperään ja pohjaveteen terveydelle haitallisia yhdisteitä

#### WEEE

Não descartar aparelhos elétricos dentro de um caixote de lixo com os resíduos caseiros indiscriminados; utilizar um recipiente separado para recolha.

Contactar as autoridades locais para obter informações sobre os sistemas de recolha disponíveis. Se os aparelhos elétricos forem descartados em lixeiras ou aterros, certas substâncias perigosas podem escorrer para o lençol de água subterrâneo, penetrando na cadeia de alimentos e causando danos à sua saúde e bem-estar.

Na UE, quando se substituem aparelhos elétricos velhos por outros novos, o retalhista é legalmente obrigado a aceitar o aparelho velho e a descartar o mesmo gratuitamente.

#### WEEE

Urządzeń elektrycznych nie należy wyrzucać wraz z nieposortowanymi odpadami komunalnymi, ale do specjalnych pojemników lub punktów zbioru.

Należy zasięgnąć informacji w odpowiednim dziale lokalnych władz komunalnych na temat sposobów usuwania zużytego sprzętu.

Wywożenie sprzętu elektrycznego na wysypiska grozi wyciekami niebezpiecznych substancji, które przedostają się do wód gruntowych i łańcucha żywności, co stanowi zagrożenie dla zdrowia.

W krajach UE dostawca nowego sprzętu ma prawny obowiązek odebrać od klienta stary sprzęt, za co nie może pobierać od użytkownika opłaty za wywóz.



Hozelock Ltd.  
Midpoint Park, Birmingham,  
B76 1AB, England

Tel: +44 (0) 121 313 1122

[www.hozelock.com](http://www.hozelock.com)

43389-003